

THCX222R05

High Performance Re-driver with Linear Equalization

General Description

THCX222R05 is a high performance bi-directional active re-driver for serial links with data rates up to 5Gbps.

THCX222R05 features a continuous time linear equalizer (CTLE) to provide a boost up to +11.6dB at 2.5 GHz. It opens an input eye completely closed due to inter-symbol interference (ISI) induced by the inter-connect mediums.

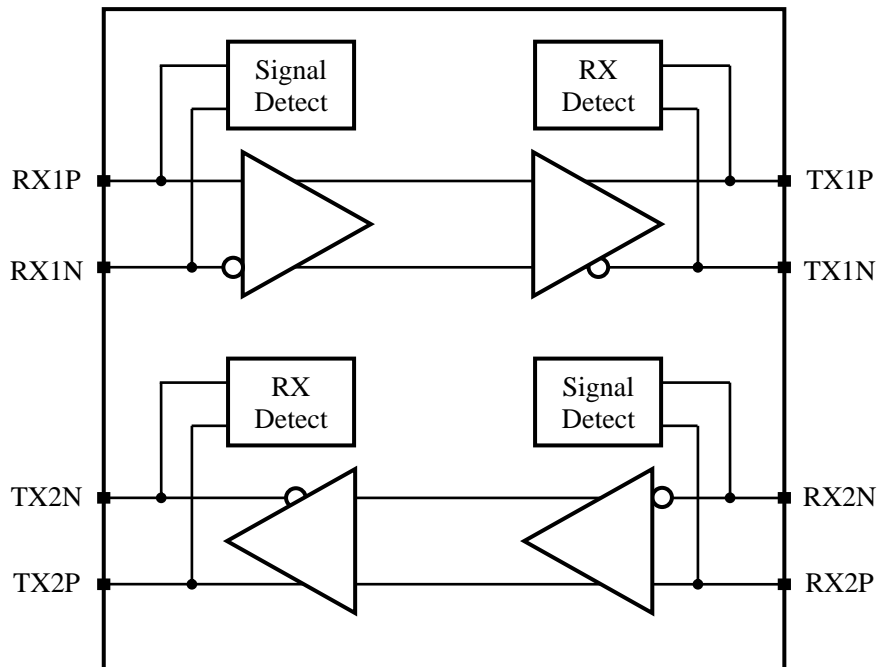
Features

- Signal Conditioning with Linear Equalizer
- Linear Equalization up to +11.6dB@2.5GHz
- Adjustable Voltage Output Swing Linear Range
- Adjustable Receiver Equalization and DC Gain
- Support USB 3.1 Gen1
 - Receiver and LFPS Detect
- Single Supply Voltage (3.3V)
- Package : QFN30 (2.5mm x 4.5mm)

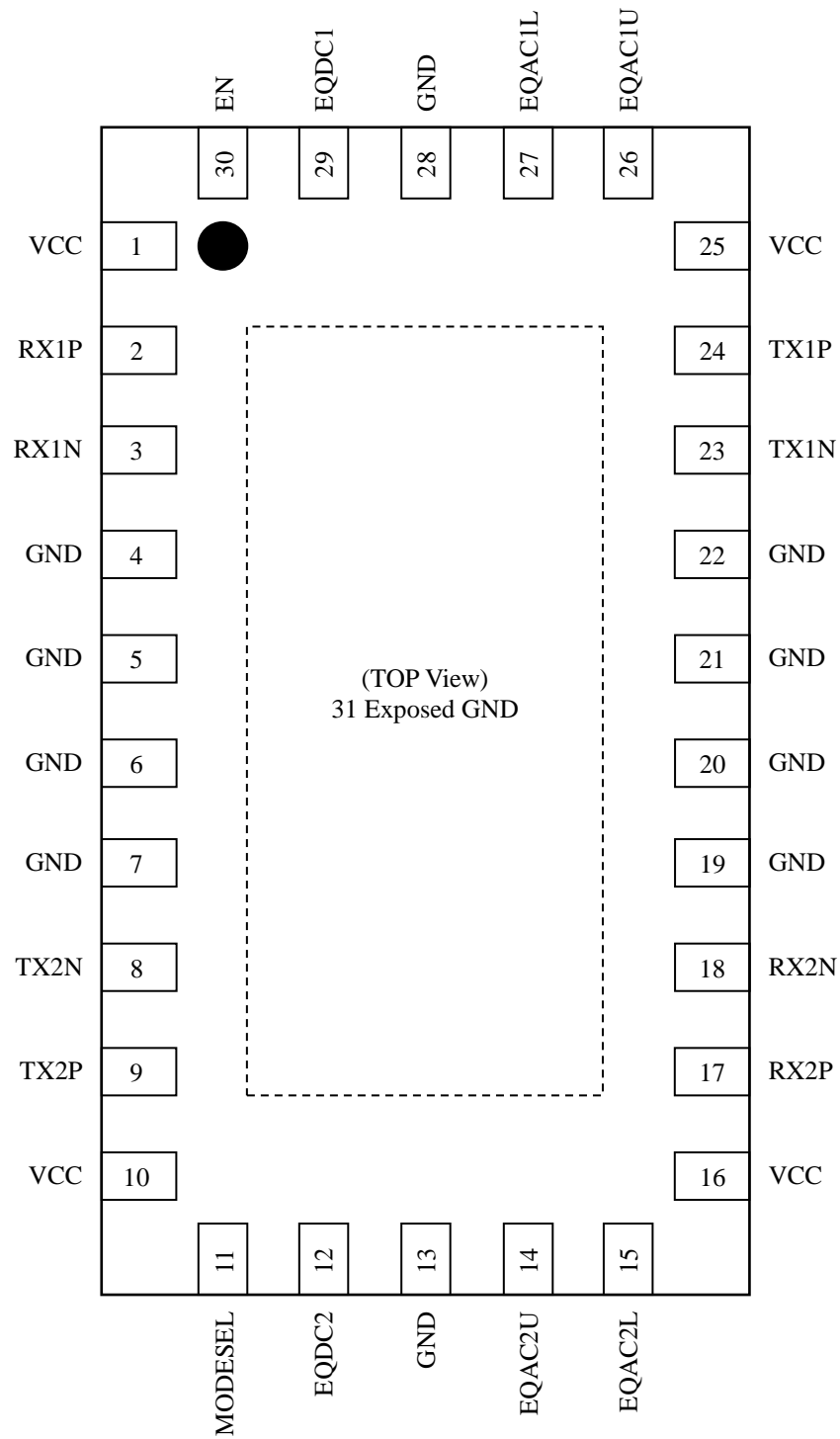
Applications

- USB 3.1 Gen1
- USB Host and Devices
- Docking Stations
- Active Cable
- V-by-One® HS
- CML Interface

Block Diagram



Pin Configuration





Pin Description

Pin Name	Pin No	Type	Description
RX1P	2	CI	Super-Speed CML Signal Input of Channel1(CH1)
RX1N	3	CI	Super-Speed CML Signal Input of CH1
TX1P	24	CO	Super-Speed CML Signal Output of CH1
TX1N	23	CO	Super-Speed CML Signal Output of CH1
RX2P	17	CI	Super-Speed CML Signal Input of Channel2(CH2)
RX2N	18	CI	Super-Speed CML Signal Input of CH2
TX2P	9	CO	Super-Speed CML Signal Output of CH2
TX2N	8	CO	Super-Speed CML Signal Output of CH2
EN	30	I	Channel Enable 0 : Power Down 1 : Normal Operation
EQAC1U	26	4LI	CH1 Rx Equalizer Peak Gain & High Linear Mode setting This pin along with EQAC1L allows for up to 16 settings.
EQAC1L	27	4LI	CH1 Rx Equalizer Peak Gain & High Linear Mode setting This pin along with EQAC1U allows for up to 16 settings.
EQAC2U	14	4LI	CH2 Rx Equalizer Peak Gain & High Linear Mode setting This pin along with EQAC2L allows for up to 16 settings.
EQAC2L	15	4LI	CH2 Rx Equalizer Peak Gain & High Linear Mode setting This pin along with EQAC2U allows for up to 16 settings.
EQDC1	29	4LI	CH1 Equalizer DC Gain Setting
EQDC2	12	4LI	CH2 Equalizer DC Gain Setting
MODESEL	11	4LI	Chip Operation Mode Select, if EN=1 0 : CH1/2 enable, RxDetect/SignalDetect enable R : CH1/2 enable, RxDetect enable, SignalDetect disable F : CH1/2 enable, RxDetect/SignalDetect disable 1 : CH1 enable, CH2 disable, RxDetect/SignalDetect disable
VCC	1, 10, 16, 25	PWR	Power Supply Pin for On-chip Regulator.
GND	4,5,6,7,13, 19,20,21, 22,28,31	GND	Ground. Must be tied to the PCB ground plane through an array of vias. Pin#31 is exposed pad ground.

CI: CML Input Buffer, CO: CML Output Buffer
 I: LVCMOS Input Buffer, 4LI: 4-Level LVCMOS Input Buffer,
 PWR: Power Supply, GND: Ground



Operation Mode Settings

Table 1. Operation Mode Setting

Pin Settings		Operation Mode
EN	MODESEL	
1	0(*1)	CH1/2 Enable, RxDetect Enable, SignalDetect Enable
	R(*2)	CH1/2 Enable, RxDetect Enable, SignalDetect Disable
	F(*3)	CH1/2 Enable, RxDetect Disable, SignalDetect Disable
	1(*4)	CH1 Enable, CH2 Disable, RxDetect Disable, SignalDetect Disable
0	Ignore	Chip Power Down.

- *1 Tie 0Ω to GND
- *2 Tie 180kΩ to GND
- *3 Leave Open
- *4 Tie 0Ω to VCC

Detect Function

THCX222R05 has Input Signal Detect (SignalDetect) and Receiver Detect (RxDetect) functionality for USB3.x transmission.

Detect functionality must be disable when it is not USB3.x application.

Liner Equalizer Settings

Table 2. Equalization and -1dB Compression Point Linear Swing Settings

EQACnU ^{*1}	EQACnL ^{*1}	Equalizer Settings (dB) @2.5GHz	Output Linear Swing Settings (mVppd)	
			@100MHz	@2.5GHz
0	0	1.5	830	760
0	R	2.7		
0	F	3.7		
0	1	4.8		
R	0	5.6		
R	R	6.7		
R	F	8.0		
R	1	8.9		
F	0	4.3	1200	1000
F	R	5.5		
F	F	6.5		
F	1	7.6		
1	0	8.4		
1	R	9.5		
1	F	10.8		
1	1	11.6		

*1 n=1,2

Table 3. Flat Gain Settings

EQDCn ^{*1}	Flat Gain Settings (dB)@Up to 200MHz	
	EQACn ^{*1} U=0/R	EQACn ^{*1} U=F/1
0	-2.2	-0.7
R	-1.3	0.2
F	0.1	1.8
1	4.1	5.6

*1 n=1,2

-1dB Compression Point is showed below. It means output voltage range that has linearity.

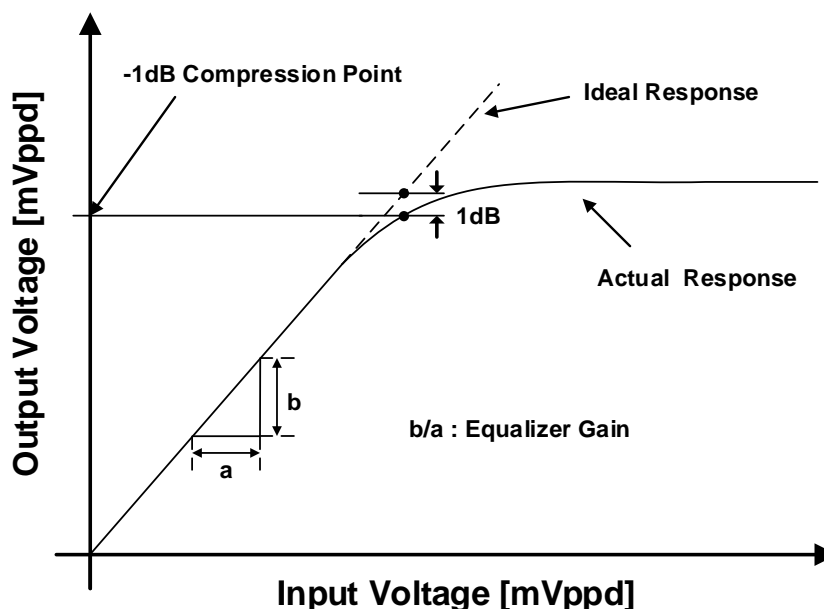


Figure 1. -1dB Compression Point

Absolute Maximum Ratings

Table 4. Absolute Maximum Ratings

Parameter		Min	Typ	Max	Unit	
Supply Voltage(VCC)		-0.3	-	4.0	V	
LVCMOS Input/Output Voltage		-0.3	-	VCC+0.3	V	
4-Level LVCMOS Input Voltage		-0.3	-	VCC+0.3	V	
CML Receiver Input Voltage		-0.3	-	3.0	V	
CML Transmitter Output Voltage		-0.3	-	3.0	V	
ESD Rating	HBM	High-Speed CML	-	-	±4	kV
		All Other Pin	-	-	±2	
	MM		-	-	±200	V
	CDM		-	-	±500	V
Storage Temperature		-55	-	125	°C	
Junction Temperature		-	-	125	°C	
Reflow Peak Temperature/Time		-	-	260/10	°C/sec	

Recommended Operating Conditions

Table 5. Recommended Operating Condition

Parameter	Min	Typ	Max	Unit
Supply Voltage(VCC)	3.0	3.3	3.6	V
Supply Ramp Requirement	0.1	-	50	ms
Operating Temperature	-40	-	85	°C

Equivalent CML Input Schematic Diagram

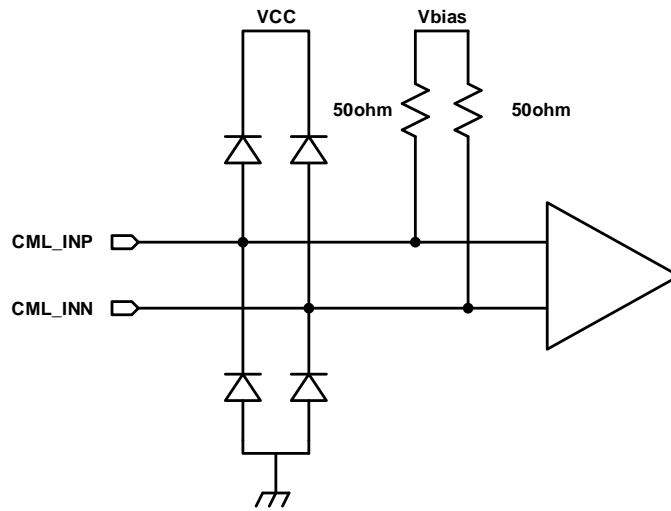


Figure 2. CML Input Schematic Diagram

Equivalent CML Output Schematic Diagram

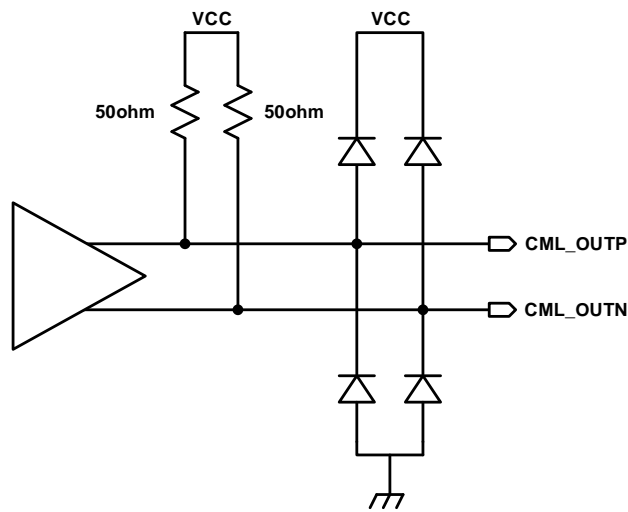


Figure 3. CML Output Schematic Diagram

Equivalent LVC MOS Input Schematic Diagram

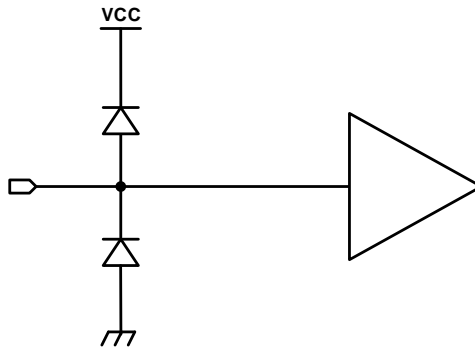


Figure 4. LVC MOS Input Schematic Diagram

Equivalent 4-Level LVC MOS Input Schematic Diagram

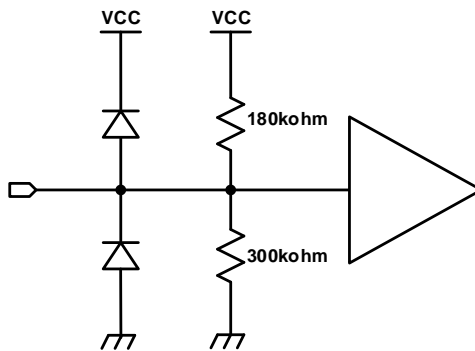


Figure 5. 4-Level LVC MOS Input Schematic Diagram



Electrical Specification

Supply Current

Table 6. Supply Current

Over recommended operating supply and temperature range unless otherwise specified

Symbol	Parameter	Condition	Min	Typ	Max	Unit
ICCW	Active Mode Supply Current	EQACn ¹ U=F/1	-	84	150	mA
		EQACn ¹ U=0/R	-	69	-	mA
ICCSL	Slumber Mode Supply Current	-	-	45	65	mA
ICCI	Unplug Mode Supply Current	-	-	1.2	2.9	mA
ICCS	Power Down Supply Current	-	-	120	180	uA

*1 n=1,2

LVC MOS DC Specification

Table 7. LVC MOS DC Specification

Over recommended operating supply and temperature range unless otherwise specified

Symbol	Parameter	Condition	Min	Typ	Max	Unit
VIH	High Level Input Voltage	-	2.0	-	VCC	V
VIL	Low Level Input Voltage	-	0	-	0.7	V

4-Level LVC MOS DC Specification

Table 8. 4-Level LVC MOS DC Specification

Over recommended operating supply and temperature range unless otherwise specified

Symbol	Parameter	Condition	Min	Typ	Max	Unit
V _{THL}	Low Level Input Voltage	0(*1)	0	-	VCC*0.25 - 0.3	V
V _{THR}	R-Level Input Voltage	R(*2)	VCC*0.25 + 0.3	-	VCC*0.5 - 0.3	V
V _{THF}	F-Level Input Voltage	F(*3)	VCC*0.5 + 0.3	-	VCC*0.75 - 0.3	V
V _{THH}	High Level Input Voltage	1(*4)	VCC*0.75 + 0.3	-	VCC	V
I _{IH_3L}	High level Input Leak Current	VIN=VCC	-100	-	100	uA
I _{IL_3L}	Low Level Input Leak Current	VIN=GND	-100	-	100	uA

*Must be tied for setting each level

*1 : Tie 0Ω to GND

*2 : Tie 180kΩ±5% to GND

*3 : Leave pin open

*4 : Tie 0Ω to VCC

Receiver DC/AC Specification

Table 9. Receiver DC/AC Specification

Over recommended operating supply and temperature range unless otherwise specified

Symbol	Parameter	Condition	Min	Typ	Max	Unit
V _{IN-DIFF-PP}	AC Coupled Differential Input Peak to Peak Signal	5Gbps PRBS9	-	-	1200	mV
R _{RX-DC}	Receiver DC Common Mode Impedance	-	-	30	-	Ω
R _{RX-DIFF-DC}	DC Differential Impedance	-	72	100	120	Ω
R _{RX-HIGH-IMP-DC-POS}	DC Input CM Input Impedance for V>0	-	25	-	-	kΩ
R _{LRX-DIFF}	Rx Differential Return Loss	0.05 to 2.5 GHz	-	-7	-	dB
R _{LRX-CM}	Rx Common Mode Return Loss	0.05 to 2.5 GHz	-	-6	-	dB

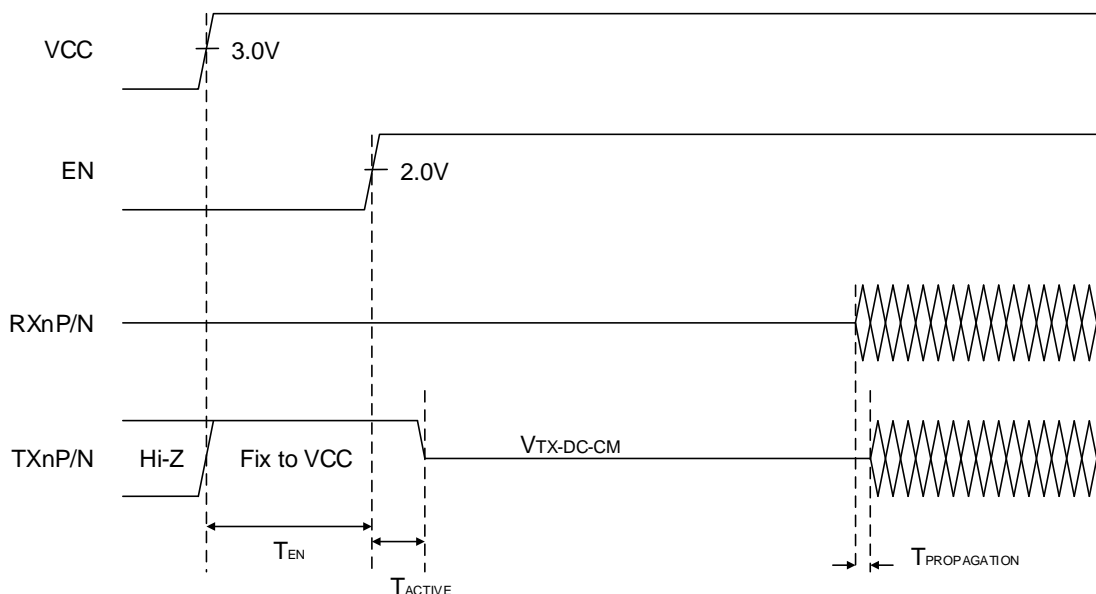
Transmitter DC / AC Specifications

Table 10. Transmitter DC / AC specification

Over recommended operating supply and temperature range unless otherwise specified

Symbol	Parameter	Condition	Min	Typ	Max	Unit
T _{TX-DJ-DD}	Deterministic Jitter	Loss=18dB@2.5GHz	-	0.125	-	U _{Ipp}
T _{TX-RJ-DD}	Random Jitter	-	-	0.5	-	ps RMS
T _{TX-RISE-FALL}	Tx Rise/Fall Time	20% to 80 %	-	40	-	ps
T _{RF-MISMATCH}	Tx Rise/Fall Mismatch	-	-	0.01	-	UI
RL _{TX-DIFF}	Tx Differential Return Loss ^{*1}	0.05 to 2.5 GHz	-	-10	-	dB
RL _{TX-CM}	Tx Common Mode Return Loss ^{*1}	0.05 to 2.5 GHz	-	-6	-	dB
R _{TX-DIFF-DC}	DC Differential Impedance	-	72	100	120	Ω
V _{TX-RCV-DETECT}	The Amount of Voltage Change Allowed during Receiver Detection	-	-	-	0.6	V
V _{TX-DC-CM}	Transmitter DC Common-mode Voltage	-	-	1.9	-	V
V _{TX-CM-AC-PP_ACTIVE}	Transmitter AC Common-mode Voltage Active	-	-	-	100	mVpp
V _{TX-IDLE-DIFF-AC-PP}	Electrical Idle Differential Peak-Peak Output Voltage	-	0	-	10	mV
V _{TX-IDLE-DIFF-DC}	DC Electrical Idle Differential Output Voltage	-	0	-	10	mV
C _{TX-PARASITIC}	Tx Input Capacitance	-	-	-	1.1	pF
T _{EN}	Power On to EN High Delay	-	0	-	-	ns
T _{ACTIVE}	EN High to Active Delay	-	-	-	200	us
T _{PROPAGATION}	Differential Propagation Delay	-	-	150	-	ps

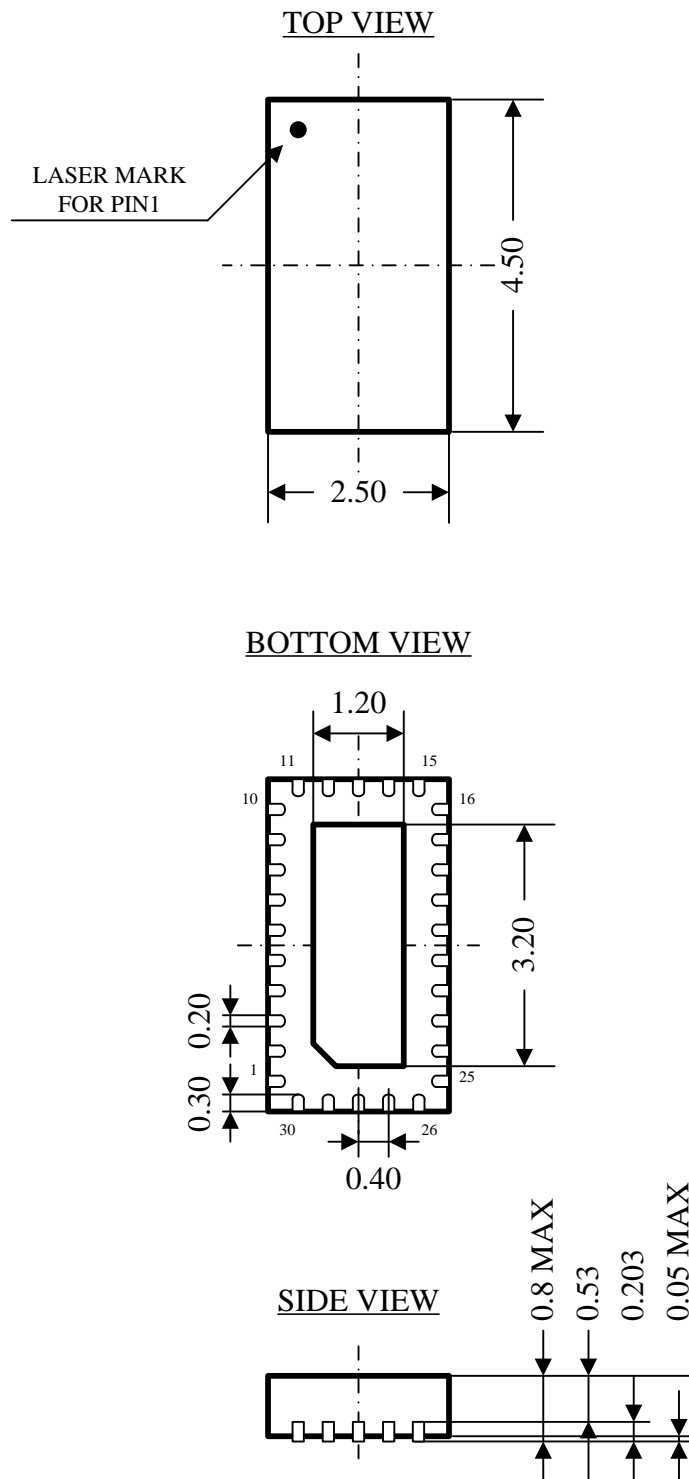
*1 Confirmed evaluation board.



n=1,2

Figure 6. Power on Sequence (SignalDetect Disable/ RxDetect Disable)

Package



Unit: mm

Notices and Requests

1. The product specifications described in this material are subject to change without prior notice.
2. The circuit diagrams described in this material are examples of the application which may not always apply to the customer's design. We are not responsible for possible errors and omissions in this material. Please note if errors or omissions should be found in this material, we may not be able to correct them immediately.
3. This material contains our copyright, know-how or other proprietary. Copying or disclosing to third parties the contents of this material without our prior permission is prohibited.
4. Note that if infringement of any third party's industrial ownership should occur by using this product, we will be exempted from the responsibility unless it directly relates to the production process or functions of the product.
5. Product Application
 - 5.1 Application of this product is intended for and limited to the following applications: audio-video device, office automation device, communication device, consumer electronics, smartphone, feature phone, and amusement machine device. This product must not be used for applications that require extremely high-reliability/safety such as aerospace device, traffic device, transportation device, nuclear power control device, combustion chamber device, medical device related to critical care, or any kind of safety device.
 - 5.2 This product is not intended to be used as an automotive part, unless the product is specified as a product conforming to the demands and specifications of ISO/TS16949 ("the Specified Product") in this data sheet. THine Electronics, Inc. ("THine") accepts no liability whatsoever for any product other than the Specified Product for it not conforming to the aforementioned demands and specifications.
 - 5.3 THine accepts liability for demands and specifications of the Specified Product only to the extent that the user and THine have been previously and explicitly agreed to each other.
6. Despite our utmost efforts to improve the quality and reliability of the product, faults will occur with a certain small probability, which is inevitable to a semi-conductor product. Therefore, you are encouraged to have sufficiently redundant or error preventive design applied to the use of the product so as not to have our product cause any social or public damage.
7. Please note that this product is not designed to be radiation-proof.
8. Testing and other quality control techniques are used to this product to the extent THine deems necessary to support warranty for performance of this product. Except where mandated by applicable law or deemed necessary by THine based on the user's request, testing of all functions and performance of the product is not necessarily performed.
9. Customers are asked, if required, to judge by themselves if this product falls under the category of strategic goods under the Foreign Exchange and Foreign Trade Control Law.
10. The product or peripheral parts may be damaged by a surge in voltage over the absolute maximum ratings or malfunction, if pins of the product are shorted by such as foreign substance. The damages may cause a smoking and ignition. Therefore, you are encouraged to implement safety measures by adding protection devices, such as fuses.

THine Electronics, Inc.

sales@thine.co.jp

<https://www.thine.co.jp>