

MIPI CSI-2 Products THCV241A(-P)-THCV242A(-P)

Example Circuit (Schematic Diagram)



About this documents

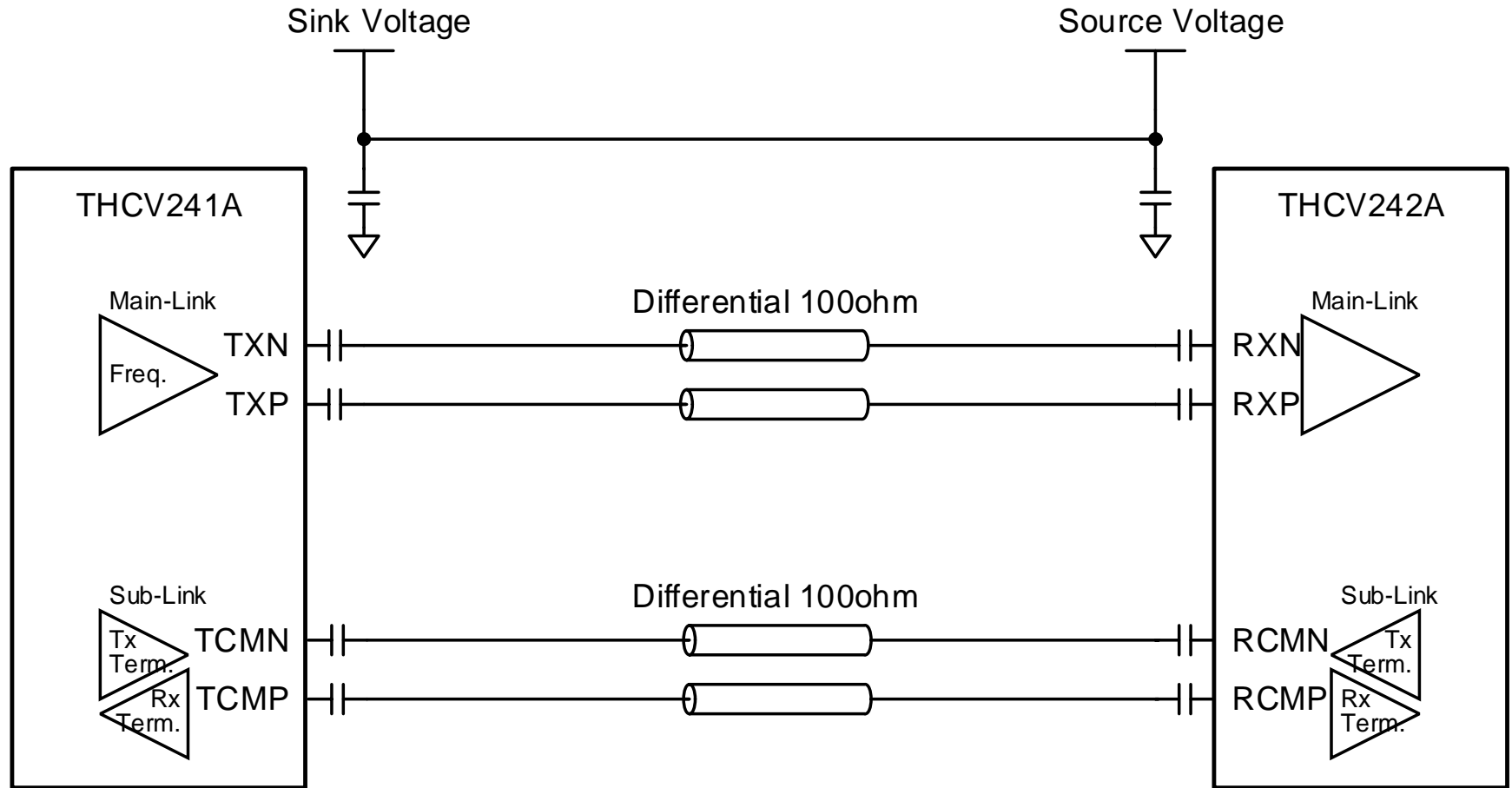
- This document is a rewrite of example circuits in THCV241A(-P)/THCV242A(-P) design guides into a schematic diagram form.
- Each diagram numbers are corresponding to the numbers shown in page2 of the following design guides:
 - THCV241A_DesignGuide_Rev.n.n_E.pdf
 - THCV242A_DesignGuide_Rev.n.n_E.pdf

Example Circuit 1: THCV241A-242 STP 2-pair	6	➡	P3
Example Circuit 2: THCV241A-242 STP 2-pair w/ power	7	➡	P4
Example Circuit 3: THCV241A-242 STP 1-pair+2-wire, reduced parts	8	➡	P5
Example Circuit 5: THCV241A-242 STP 1-pair w/ power, reduced parts	10	➡	P6
Example Circuit 7: THCV241A-242 Coax 1-line	12	➡	P7
Example Circuit 8: THCV241A-242 Coax 1-line w/ power	13	➡	P8

1. STP 2pair <Differential 2pair>

Example Circuit1: THCV241A-242 STP 2-pair

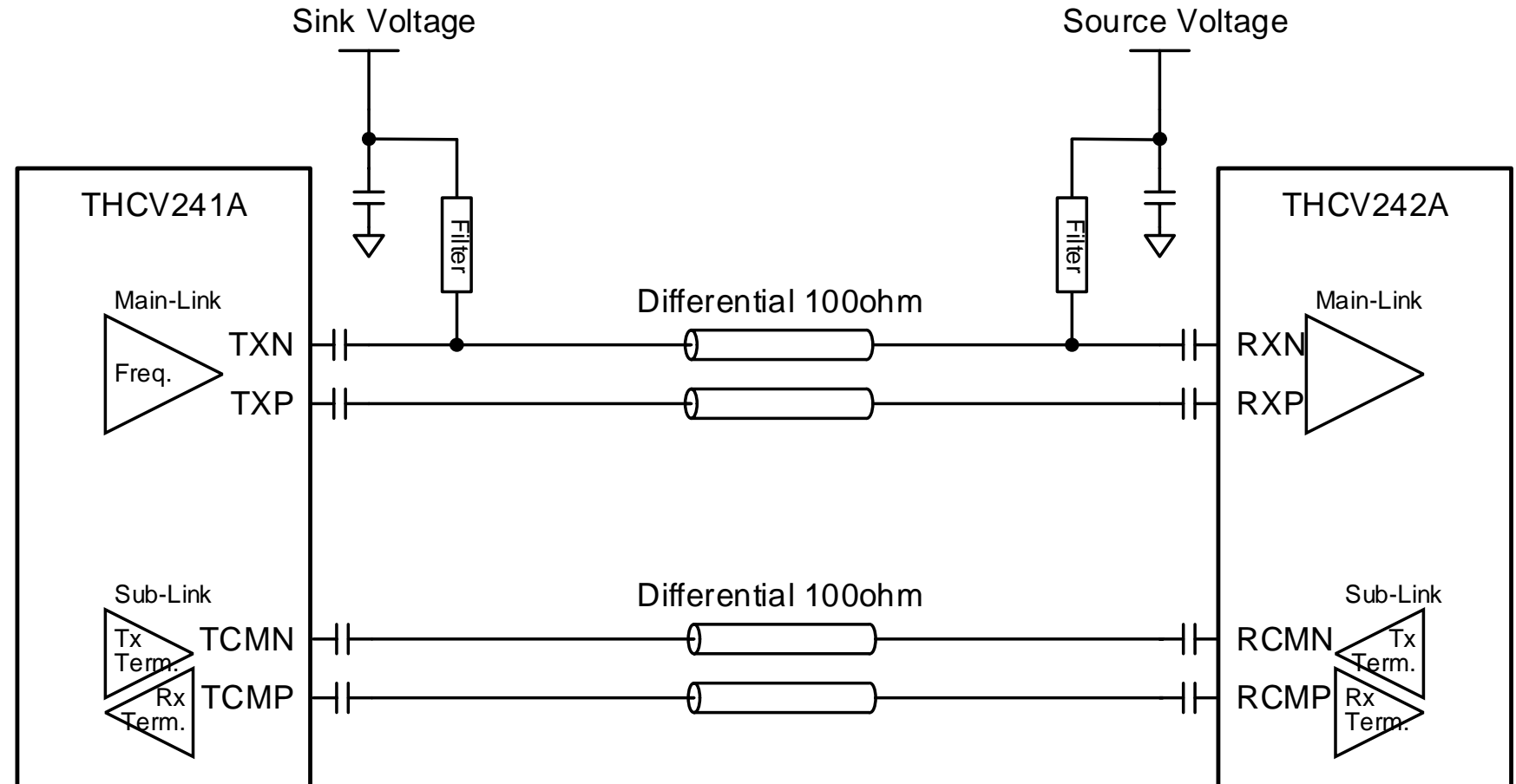
Items	Number
Cables	5
External Components	Basis



2. STP 2pair <Differential 2pair> & Power-Over

Example Circuit2: THCV241A-242 STP 2-pair w/ power

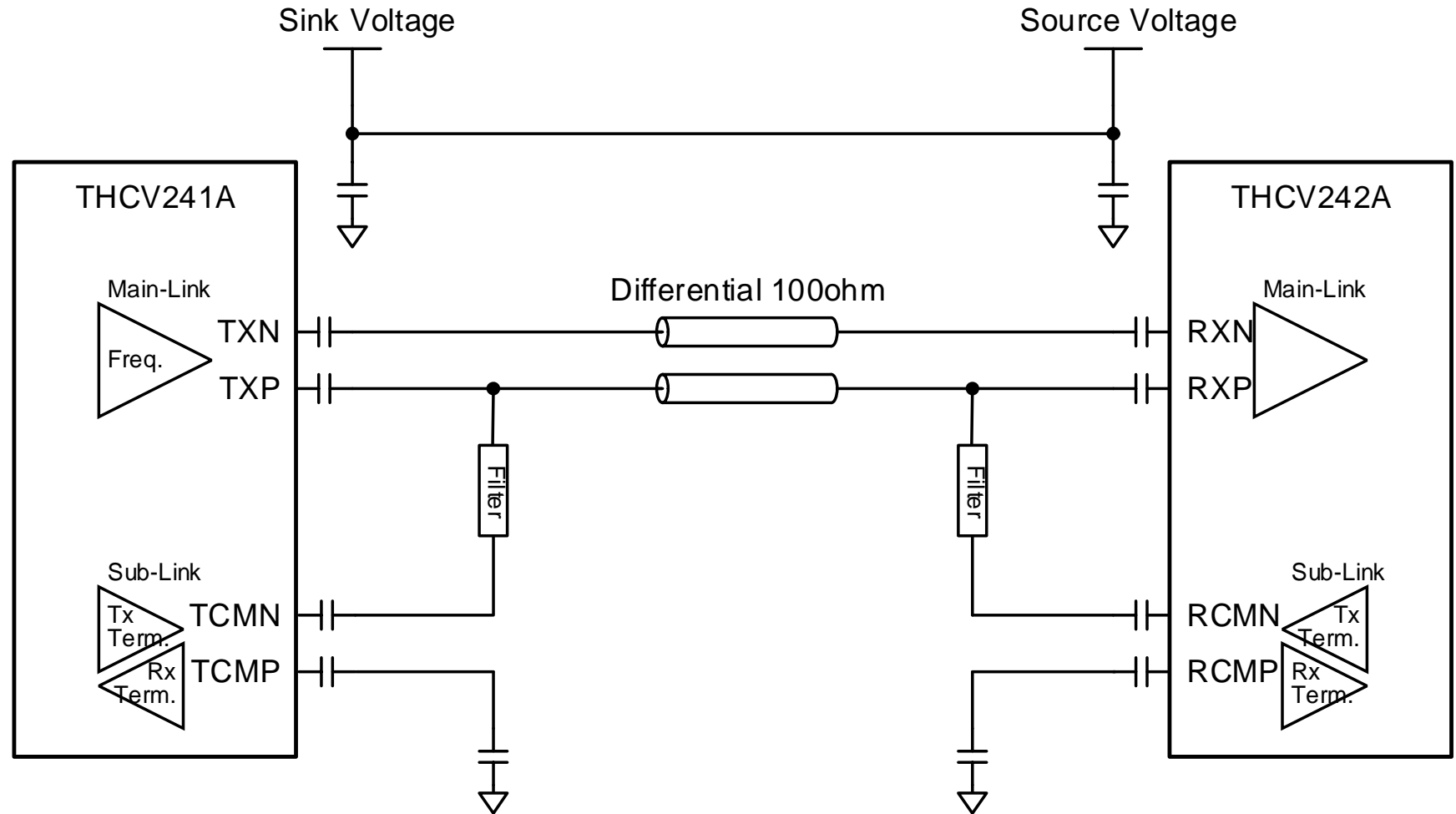
Items	Number
Cables	4
External Components	Basis +6



3. STP 1pair <Differential 1pair> & 2-wire serial

Example Circuit3: THCV241A-242 STP 1-pair +2-wire, reduced parts

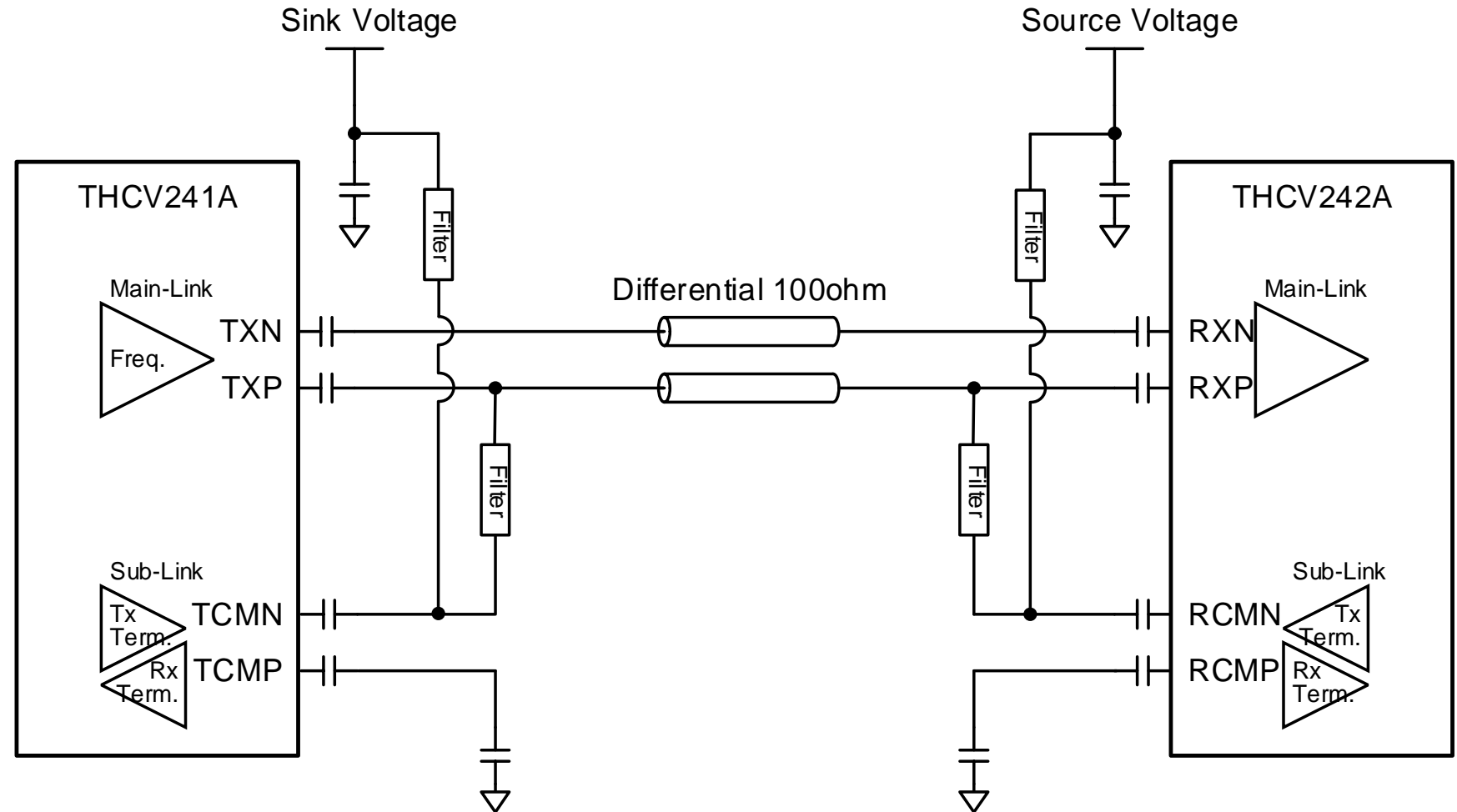
Items	Number
Cables	3
External Components	Basis +6



5. STP 1pair <Differential 1pair> & Power-Over

Example Circuit5: THCV241A-242 STP 1-pair w/ power, reduced parts

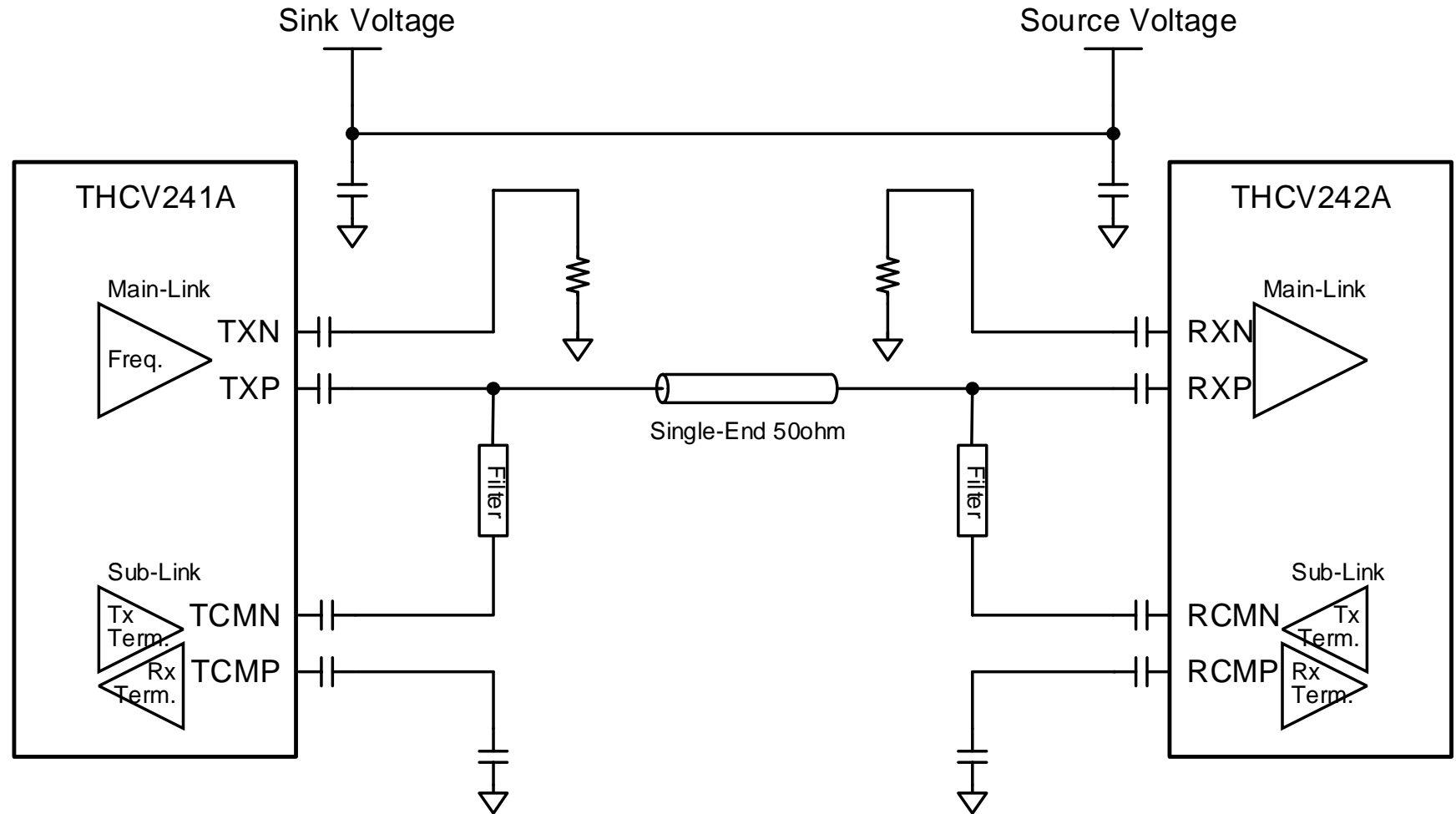
Items	Number
Cables	2
External Components	Basis +14



7. Coaxial cable 1-line <Single-End>

Example Circuit7: THCV241A-242 STP Coax 1-line

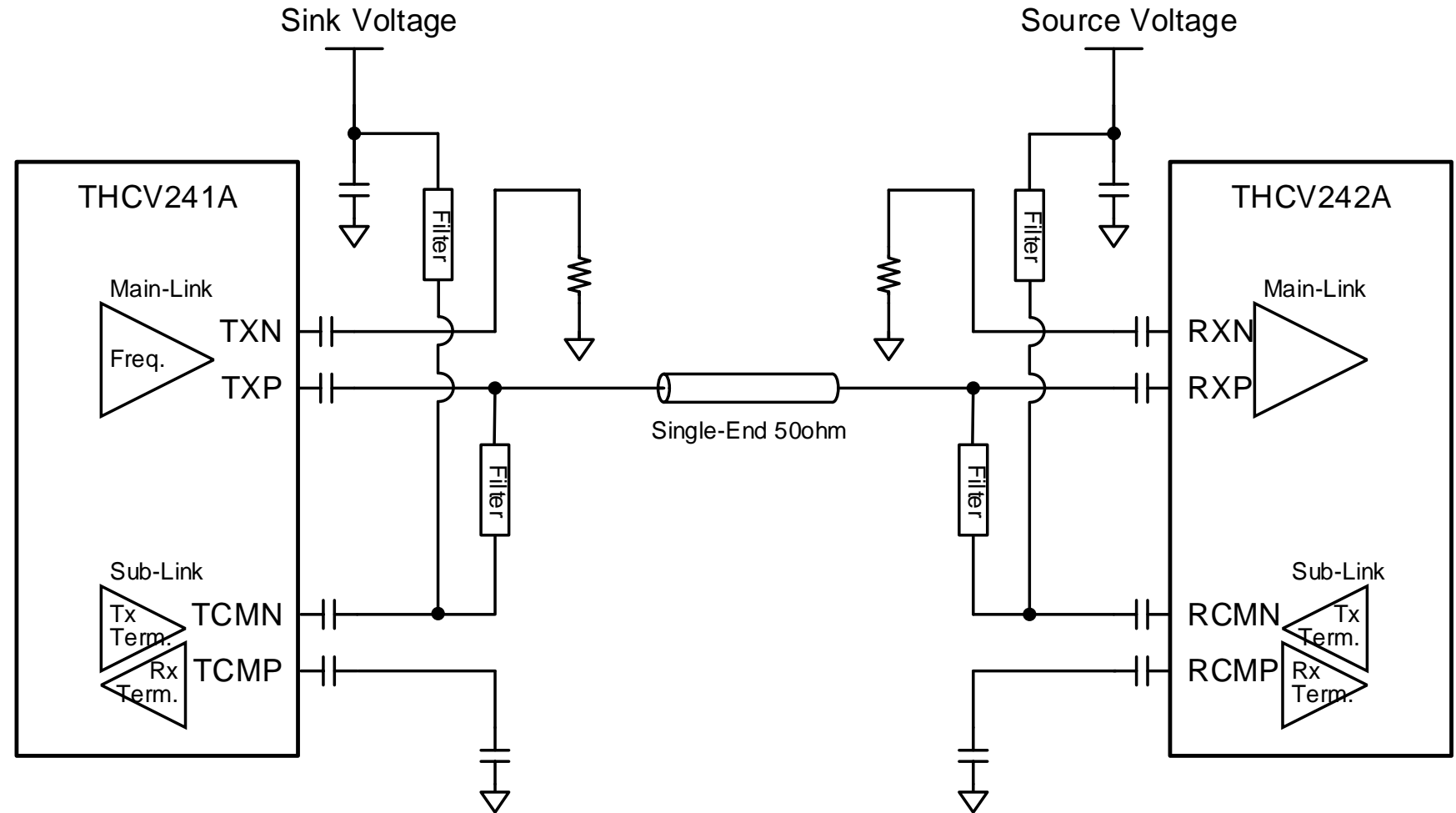
Items	Number
Cables	2
External Components	Basis +8



8. Coaxial cable 1-line <Single-End> & Power-Over

Example Circuit8: THCV241A-242 STP Coax 1-line w/ power

Items	Number
Cables	1
External Components	Basis +16



- The product specifications described in this material are subject to change without prior notice.
- The circuit diagrams described in this material are examples of the application which may not always apply to the customer's design. THine Electronics, Inc. (“THine”) is not responsible for possible errors and omissions in this material. Please note even if errors or omissions should be found in this material, THine may not be able to correct them immediately.
- This document only shows some of typical cases of the related products’ data sheets and application notes. If any discrepancies occur between the related products’ datasheets / register maps / application notes and this document, such datasheets / register maps / application notes shall supersede and show the right direction.