

# THCS253

## IOHA:B 8B10B Serial Transceiver

### 1. Overview

The THCS253 is a transceiver IC with serializer and deserializer on a single chip that aggregates 32-bit GPIO and 2-wire serial interface signals and converts them into two pairs of differential signals for transmission and reception.

The THCS253 has two modes: SYNC mode and ASYNC mode. In SYNC mode, the uplink and downlink high-speed transmission signals operate synchronously, driven by the reference clock signal from the primary chip side. In ASYNC mode, the uplink and downlink high-speed transmission signals operate asynchronously, driven by the clock signals from both the primary and secondary chips. The reference clock can be selected from either the internal OSC clock or the external input clock.

By accessing internal registers via the 2-wire serial interface, the 32-bit GPIO direction and output buffer type can be customized for each pin.

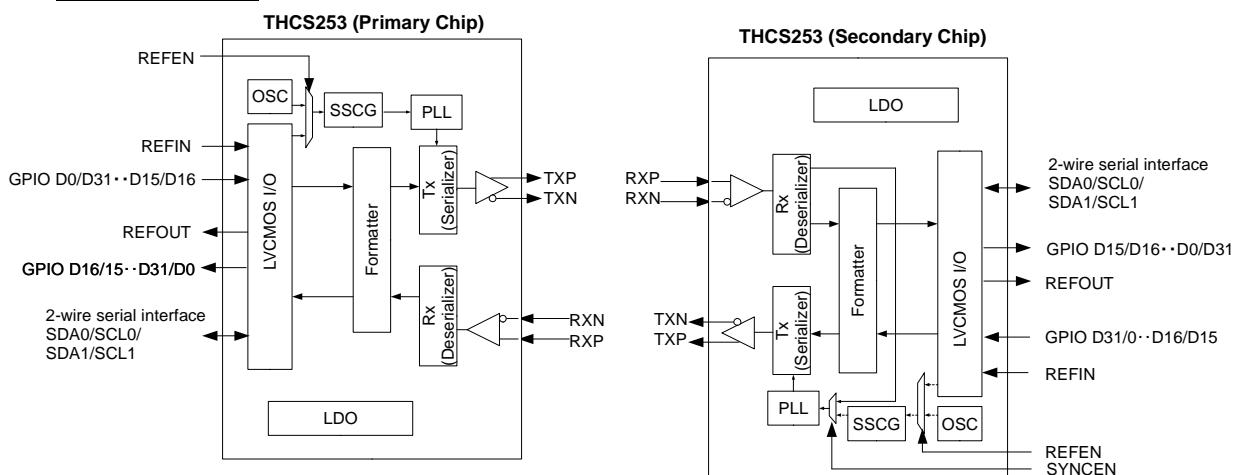
The 8B10B encoding and decoding used in the THCS253 provides high robustness, DC balanced signals, and easy connection to optical/wireless communication devices.

The built-in adaptive equalizer allows for flexible cable selection, and the CML driver with pre-emphasis allows for even longer cable transmissions.

### 2. Features

- Up to 32-bit GPIOs
- Internal oscillator mode requires no external clock signal input
- Uplink and downlink synchronous mode with one-sided reference clock drive
- Uplink and downlink asynchronous mode with both side reference clocks driven
- Output buffer selectable between open-drain and push-pull
- 2-wire serial interface fast mode can be bridged
- Standby mode for low-power operation
- Adaptive equalizer supports high-loss transmission media
- 8B10B encoding/decoding
- Digital noise filters can be set for input and output
- Error detection and notification
- External reference clock frequency: 9-133.3MHz
- Built-in spread spectrum clock generator
- Single power supply operation: 1.7 V - 3.6 V
- Operating ambient temperature range: -40°C to 85°C
- Compliant with RoHS and REACH

### 3. Block diagram

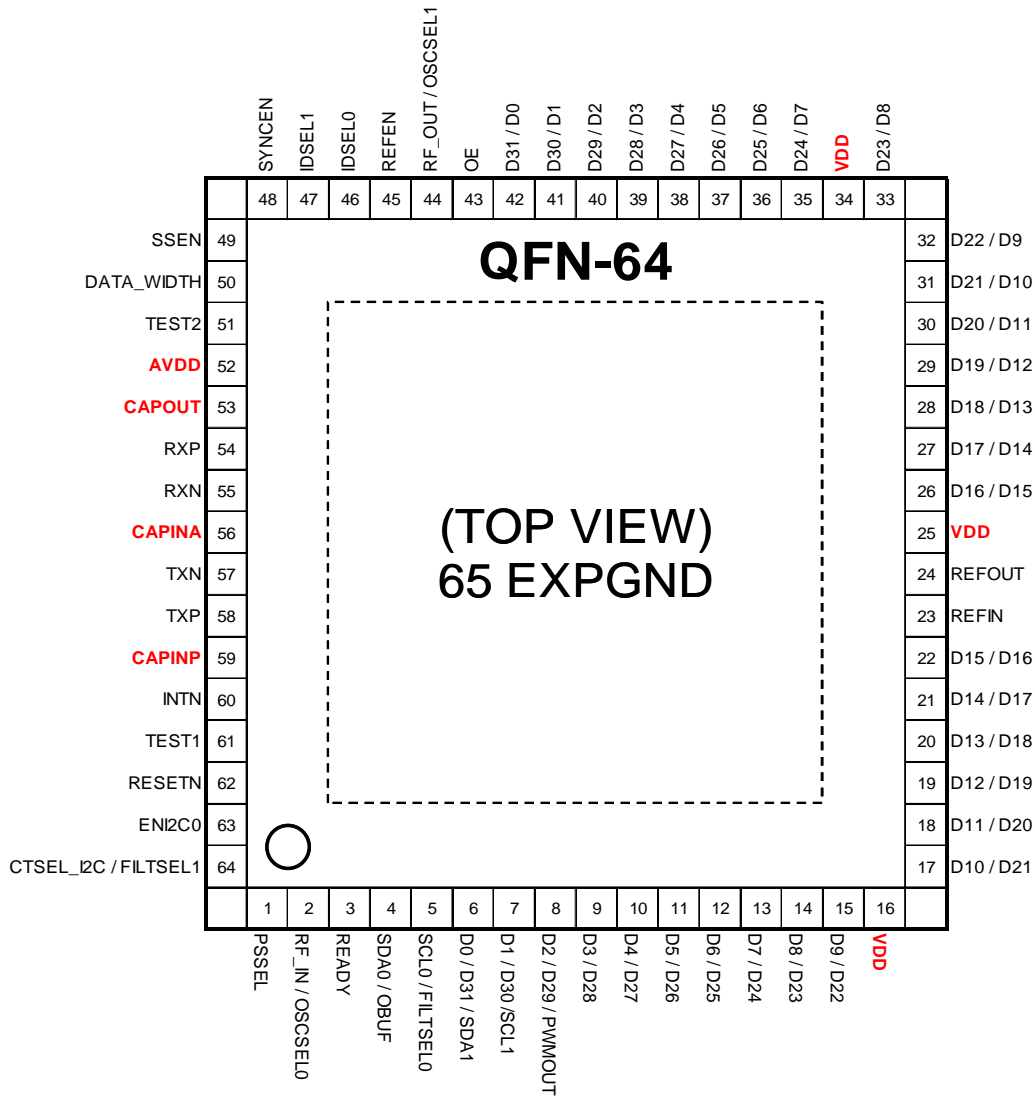


## Contents

1. Overview .....	1
2. Features .....	1
3. Block diagram .....	1
4. Pin configuration .....	4
5. Pin description .....	5
5.1. Pin setting and combination of chip mode .....	9
6. Absolute maximum rating .....	10
7. Recommended operating conditions .....	10
8. Electrical characteristics .....	11
8.1. Current consumption .....	11
8.2. LVCMOS/Analog input DC specifications .....	13
8.3. LVCMOS AC characteristics .....	14
8.4. CML DC characteristics .....	18
8.5. CML AC characteristics .....	18
8.6. 2-wire serial interface DC/AC characteristics .....	22
9. CML Line diagram .....	23
9.1. CML input diagram .....	23
10. Function .....	24
10.1. Function overview .....	24
10.2. Power supply .....	24
10.2.1. Internal regulator output/input function (CAPOUT, CAPINA, CAPINP) .....	24
10.3. Chip Operating state .....	25
10.4. Chip operation mode .....	25
10.4.1. Chip configuration .....	25
10.4.2. Operating clock mode select .....	26
10.4.3. Operating clock select .....	26
10.4.4. Combination of operating modes .....	28
10.5. Byte mode and frequency range .....	31
10.6. 2-wire serial interface .....	32
10.6.1. 2-wire serial interface setting .....	32
10.6.2. Clock stretching .....	33
10.6.3. Device Address .....	34
10.6.4. 2-wire serial controller / target register address space .....	35
10.6.5. 2-wire serial controller SCL frequency .....	35

10.6.6.	2-wire serial interface watch dog timer setting.....	35
10.6.7.	THCS253 internal register access protocol via 2-wire serial interface.....	36
10.6.8.	2-wire serial expander .....	43
10.7.	Direction of GPIO .....	44
10.8.	IO configuration .....	46
10.8.1.	I/O digital noise filter .....	46
10.8.2.	LVC MOS Output buffer type configuration.....	48
10.8.3.	5V tolerant IO.....	49
10.8.4.	LVC MOS Output drive strength setting .....	49
10.8.5.	CML output swing voltage and pre-emphasis setting.....	49
10.9.	Clock configuration.....	50
10.9.1.	Sampling clock select.....	50
10.9.2.	Clock edge select (RF_IN, RF_OUT) .....	51
10.10.	Spread spectrum clock generator and REFIN(pin) frequency.....	52
10.11.	PWM signal output function .....	53
10.12.	CRC.....	53
10.13.	Error detection and notification.....	54
10.13.1.	READY signal.....	54
10.13.2.	INTN signal.....	54
10.14.	Standby mode: STANDBY(register)=1.....	55
11.	Register map.....	57
12.	Package.....	61
13.	Reference land pattern.....	62
14.	Notices and Requests.....	63

#### 4. Pin configuration



## 5. Pin description

Pin Name	No.	Type	Description
TXP	58	CO	Differential P-ch output
TXN	57	CO	Differential N-ch output
RXP	54	CI	Differential P-ch input
RXN	55	CI	Differential N-ch input
RESETN	62	IL	Chip reset 0: Chip reset 1: Chip operation
PSEL	1	IL	Chip mode select *Refer to SYNCEN 0: Primary chip mode 1: Secondary chip mode
SYNCEN	48	IL	Link mode select When PSEL=0 disable When PSEL=1 enable 0: AYNC mode Driven by primary/secondary chip reference clocks 1: SYNC mode Driven by primary chip reference clock
REFEN	45	IL	Reference clock select 0: Internal oscillator clock 1: External reference clock
DATAWIDTH	50	IL	Transmission Data width select Primary and secondary DATAWIDTH should be set the same. *Refer to Table 8, Table 9, Table 19
ENI2C	63	IL	2-wire serial interface permission 0: Disable 1: Enable
CTSEL_I2C/ FILTSEL1	64	IL	CTSEL_I2C : 2-wire serial Controller / Target select 0: 2-wire serial target (I2C controller device side) 1: 2-wire serial controller (I2C remote device side) FILTSEL1 : Digital noise filter setting *Refer to Table 21 Table 22
IDSEL0	46	IL	2-wire serial interface device address select *Refer to Table 14
IDSEL1	47	IL	2-wire serial interface device address select *Refer to Table 14
RF_IN/ OSCSEL0	2	IL	RF_IN: Input clock edge select 0: Rising edge 1: Falling edge OSCSEL0: Internal oscillator clock select *Refer to Table 9
RF_OUT/ OSECSEL1	44	IL	Output clock edge select 0: Rising edge 1: Falling edge OSECSEL1: Internal oscillator clock select *Refer to Table 9
SDA0/ OBUF	4	BL	SDA0: SDA for 2-wire serial interface 0 OBUF: Output buffer type select 0: Open-drain 1: Push-pull

SCL0/ FILTSELO	5	BL	SCL0: SCL for 2-wire serial interface 0 FILSET0: Digital noise filter setting *Refer to Table 21, Table 22
SSEN	49	IL	Spread spectrum clock generator 0: SSCG PLL disable 1: SSCG PLL enable
OE	43	IL	Output enable 0: LVCMOS output Hi-Z 1: LVCMOS output enable
REFIN	23	B	REFIN : External input clock
REFOUT	24	O	Pixel clock output
READY	3	B	CML Link state 0: Unlock 1: Lock
INTN	60	BO	Interrupt output *When READY=1 0: Error occurred 1: (Pull-up) : No Error
D0/ D31/ SDA1	6	BT	D0: Primary chip mode data input/output D31: Secondary chip mode data input/output SDA1: SDA for 2-wire serial interface 1
D1/ D30/ SCL1	7	BT	D1: Primary chip mode data input/output D30: Secondary chip mode data input/output SCL1: SCL for 2-wire serial interface 1
D2/D29/PWMOUT	8	BT	D2: Primary chip mode data input/output D29: Secondary chip mode data input/output PWMOUT: PWM output
D4/D27, D5/D26, D6/D25, D7/D24, D8/D23, D9/D22, D10/D21, D11/D20, D12/D19, D13/D18, D14/D17, D15/D16, D16/D15, D17/D14, D18/D13, D19/D12, D20/D11, D21/D10, D22/D9, D23/D8, D24/D7, D25/D6, D26/D5, D27/D4	10, 11, 12, 13, 14, 15, 17, 18, 19, 20, 21, 22, 26, 27, 28, 29, 30, 31, 32, 33, 35, 36, 37, 38	B	Primary chip mode data input and output / Secondary chip mode data input and output Left side of "/" is in primary chip mode Right side of "/" is in secondary chip mode
D3/D28 D28/D3, D29/D2, D30/D1, D31/D0	9 39, 40, 41, 42	BT	Primary chip mode data input and output / Secondary chip mode data input and output Left side of "/" is in primary chip mode Right side of "/" is in primary chip mode
TEST1	61	IL	Shall be tied to Ground
TEST2	51	AI	Shall be tied to Ground
CAPOUT	53	PWR	Decoupling capacitor Pin, 1.2V output
CAPINA	56	PWR	1.2V Analog power supply input
CAPINP	59	PWR	1.2V Analog power supply input
VDD	16, 25, 34	PWR	1.7-3.6V Digital power supply input for LVCMOS I/O
AVDD	52	PWR	1.7-3.6V Analog power supply input for on-chip regulator
EXPGND	65	GND	Exposed Pad Ground. Must be tied to the PCB ground plane through an array of via holes

---

Pin type definition

Analog Buffer

CO: CML Output buffer

CI: CML Input buffer

AI: Analog Input buffer

LVC MOS buffer

IL: Low speed schmitt trigger LVC MOS Input buffer

B: LVC MOS Bi-directional buffer

BO: Open-drain LVC MOS Bi-directional buffer

BL: Low speed 5V tolerant schmitt trigger LVC MOS Bi-directional buffer

BT: Low speed 5V tolerant LVC MOS Bi-directional buffer

Power/Ground

PWR: Power supply

GND : Ground

**Table 1 Primary chip mode pin sharing**

Pin number	Primary chip / Secondary chip	Primary chip mode					
	Sampling clock	Internal OSC			External input		
	2-wire serial (SDA0/SCL0)	Disable	Enable	Enable	Disable	Enable	Enable
	2-wire serial (SDA1/SCL1)		Disable			Disable	
1	PSSEL	0	0	0	0	0	0
45	REFEN	0	0	0	1	1	1
63	ENI2C	0	1	1	0	1	1
register	ENI2C1	-	{0}	{1}	-	{0}	{1}
2	RF_IN/OSCSEL0	OSCSEL0	OSCSEL0	OSCSEL0	RF_IN	RF_IN	RF_IN
44	RF_OUT/OSCSEL1	OSCSEL1	OSCSEL1	OSCSEL1	RF_OUT	RF_OUT	RF_OUT
4	SDA0/OBUF	OBUF	SDA0	SDA0	OBUF	SDA0	SDA0
5	SCL0/FILTSEL0	FILTSEL0	SCL0	SCL0	FILTSEL0	SCL0	SCL0
64	CTSEL_I2C/FILTSEL1	FILTSEL1	CTSEL_I2C	CTSEL_I2C	FILTSEL1	CTSEL_I2C	CTSEL_I2C
6	D0/D31/SDA1	D0	D0	SDA1	D0	D0	SDA1
7	D1/D30/SCL1	D1	D1	SCL1	D1	D1	SCL1
[*1]	D2/D29-D31/D0	D2-D32	D2-D32	D2-D32	D2-D32	D2-D32	D2-D32

\*1 Pin number : 8-15, 17-22, 26-33, 35-42

**Table 2 Secondary chip mode pin sharing**

Pin number	Primary chip/Secondary chip	Secondary chip mode					
	Sampling clock	Internal OSC			External input		
	2-wire serial (SDA0/SCL0)	Disable	Enable	Enable	Disable	Enable	Enable
	2-wire serial (SDA1/SCL1)		Disable			Disable	
1	PSSEL	1	1	1	1	1	1
45	REFEN	0	0	0	1	1	1
63	ENI2C	0	1	1	0	1	1
register	ENI2C1	-	{0}	{1}	-	{0}	{1}
2	RF_IN/OSCSEL0	OSCSEL0	OSCSEL0	OSCSEL0	RF_IN	RF_IN	RF_IN
44	RF_OUT/OSCSEL1	OSCSEL1	OSCSEL1	OSCSEL1	RF_OUT	RF_OUT	RF_OUT
4	SDA0/OBUF	OBUF	SDA0	SDA0	OBUF	SDA0	SDA0
5	SCL0/FILTSEL0	FILTSEL0	SCL0	SCL0	FILTSEL0	SCL0	SCL0
64	CTSEL_I2C/FILTSEL1	FILTSEL1	CTSEL_I2C	CTSEL_I2C	FILTSEL1	CTSEL_I2C	CTSEL_I2C
6	D0/D31/SDA1	D31	D31	SDA1	D31	D31	SDA1
7	D1/D30/SCL1	D30	D30	SCL1	D30	D30	SCL1
[*1]	D2/D29-D31/D0	D29-D0	D29-D0	D29-D0	D29-D0	D29-D0	D29-D0

\*1 Pin number : 8-15, 17-22, 26-33, 35-42

Setting value with brace (ex. {0}, {1}) requires register setting by 2-wire serial interface. See following definition in each Tables.

Setting by Pin
Setting by register



### 5.1. Pin setting and combination of chip mode

The following is a list of modes that can be combined between Primary chip and Secondary chip.

**Table 3 Primary Chip / Secondary Chip list of pair combination**

		PSSEL=0 : Primary chip 主チップ (Pri)																	
		REFEN	ENI2C	CTSEL_I2C	REFEN	ENI2C	CTSEL_I2C	REFEN	ENI2C	CTSEL_I2C	REFEN	ENI2C	CTSEL_I2C	REFEN	ENI2C	CTSEL_I2C			
		0	0	-	0	1	0	0	1	1	1	0	-	1	1	0	1	1	1
PSSEL=1 Secondary chip 従属チップ (Sec)	SYNCEN	0			Prohibition	Prohibition			Prohibition	Prohibition			Prohibition	Prohibition			Prohibition	Prohibition	Prohibition
	REFEN	0			Prohibition	Prohibition			Prohibition	Prohibition			Prohibition	Prohibition			Prohibition	Prohibition	Prohibition
	ENI2C	0			Prohibition	Prohibition			Prohibition	Prohibition			Prohibition	Prohibition			Prohibition	Prohibition	Prohibition
	CTSEL_I2C	-			Prohibition	Prohibition			Prohibition	Prohibition			Prohibition	Prohibition			Prohibition	Prohibition	Prohibition
	SYNCEN	0			Prohibition	Prohibition			Prohibition	Prohibition			Prohibition	Prohibition			Prohibition	Prohibition	Prohibition
	REFEN	0			Prohibition	Prohibition			Prohibition	Prohibition			Prohibition	Prohibition			Prohibition	Prohibition	Prohibition
	ENI2C	1			Prohibition	Prohibition			Prohibition	Prohibition			Prohibition	Prohibition			Prohibition	Prohibition	Prohibition
	CTSEL_I2C	0			Prohibition	Prohibition			Prohibition	Prohibition			Prohibition	Prohibition			Prohibition	Prohibition	Prohibition
	SYNCEN	0			Prohibition	Prohibition			Prohibition	Prohibition			Prohibition	Prohibition			Prohibition	Prohibition	Prohibition
	REFEN	0			Prohibition	Prohibition			Prohibition	Prohibition			Prohibition	Prohibition			Prohibition	Prohibition	Prohibition
	ENI2C	1			Prohibition	Prohibition			Prohibition	Prohibition			Prohibition	Prohibition			Prohibition	Prohibition	Prohibition
	CTSEL_I2C	1			Prohibition	Prohibition			Prohibition	Prohibition			Prohibition	Prohibition			Prohibition	Prohibition	Prohibition
	SYNCEN	0			Prohibition	Prohibition			Prohibition	Prohibition			Prohibition	Prohibition			Prohibition	Prohibition	Prohibition
	REFEN	1			Prohibition	Prohibition			Prohibition	Prohibition			Prohibition	Prohibition			Prohibition	Prohibition	Prohibition
	ENI2C	1			Prohibition	Prohibition			Prohibition	Prohibition			Prohibition	Prohibition			Prohibition	Prohibition	Prohibition
	CTSEL_I2C	0			Prohibition	Prohibition			Prohibition	Prohibition			Prohibition	Prohibition			Prohibition	Prohibition	Prohibition
	SYNCEN	0			Prohibition	Prohibition			Prohibition	Prohibition			Prohibition	Prohibition			Prohibition	Prohibition	Prohibition
	REFEN	1			Prohibition	Prohibition			Prohibition	Prohibition			Prohibition	Prohibition			Prohibition	Prohibition	Prohibition
	ENI2C	1			Prohibition	Prohibition			Prohibition	Prohibition			Prohibition	Prohibition			Prohibition	Prohibition	Prohibition
	CTSEL_I2C	1			Prohibition	Prohibition			Prohibition	Prohibition			Prohibition	Prohibition			Prohibition	Prohibition	Prohibition
SYNCEN	1			Prohibition	Prohibition			Prohibition	Prohibition			Prohibition	Prohibition			Prohibition	Prohibition	Prohibition	
REFEN	-			禁止	禁止			禁止	禁止			Prohibition	Prohibition			Prohibition	Prohibition	Prohibition	
ENI2C	0			禁止	禁止			禁止	禁止			Prohibition	Prohibition			Prohibition	Prohibition	Prohibition	
CTSEL_I2C	-			禁止	禁止			禁止	禁止			Prohibition	Prohibition			Prohibition	Prohibition	Prohibition	
SYNCEN	1			Prohibition	Prohibition			Prohibition	Prohibition			Prohibition	Prohibition			Prohibition	Prohibition	Prohibition	
REFEN	-			Prohibition	Prohibition			Prohibition	Prohibition			Prohibition	Prohibition			Prohibition	Prohibition	Prohibition	
ENI2C	1			Prohibition	Prohibition			Prohibition	Prohibition			Prohibition	Prohibition			Prohibition	Prohibition	Prohibition	
CTSEL_I2C	0			Prohibition	Prohibition			Prohibition	Prohibition			Prohibition	Prohibition			Prohibition	Prohibition	Prohibition	
SYNCEN	1			Prohibition	Prohibition			Prohibition	Prohibition			Prohibition	Prohibition			Prohibition	Prohibition	Prohibition	
REFEN	-			Prohibition	Prohibition			Prohibition	Prohibition			Prohibition	Prohibition			Prohibition	Prohibition	Prohibition	
ENI2C	1			Prohibition	Prohibition			Prohibition	Prohibition			Prohibition	Prohibition			Prohibition	Prohibition	Prohibition	
CTSEL_I2C	1			Prohibition	Prohibition			Prohibition	Prohibition			Prohibition	Prohibition			Prohibition	Prohibition	Prohibition	

## 6. Absolute maximum rating

Parameter	Min	Typ	Max	Unit
Supply voltage (VDD,AVDD)	-0.3	-	4.0	V
LVC MOS input voltage	-0.3	-	VDD+0.3	V
LVC MOS output voltage	-0.3	-	VDD+0.3	V
5V tolerant Bi-directional buffer input voltage	-0.3	-	VDD+2.5	V
5V tolerant Bi-directional buffer output voltage	-0.3	-	VDD+2.5	V
Open-drain output voltage	-0.3	-	4.0	V
CML receiver input voltage	-0.3	-	CAPINA+0.3	V
CML transmitter output voltage	-0.3	-	CAPINP+0.3	V
Output current	-50	-	50	mA
Storage temperature	-55	-	125	°C
Junction temperature	-	-	125	°C
Reflow peak temperature/time	-	-	260/10	°C/sec
$\theta_{ja}$ (Junction to Ambient)	29.1 [*1]			°C/W
$\Psi_{jt}$ (Junction to Top of package)	1.1 [*1]			°C/W
Maximum power dissipation @+25°C	3.4[*1]			W

“Absolute maximum ratings” are those values beyond which the safety of the device cannot be guaranteed.

They are not meant to imply that the device should be operated at these limits. The tables of “Electrical Characteristics” specify conditions for device operation.

\*1: Thermal parameters are not guaranteed value. This value assists board and system level designers.

## 7. Recommended operating conditions

Parameter	Min	Typ	Max	Unit
Supply voltage (VDD,AVDD)	1.7	-	3.6	V
Operating ambient temperature	-40	-	85	°C

## 8. Electrical characteristics

### 8.1. Current consumption

Symbol	Parameter	Type	Conditions	Min	Typ	Max	Unit
Idd_w1	Normal mode current Primary chip DATAWIDTH=H 32bit Input (Full toggle40MHz) REFIN mode(80MHz)	PWR	AVDD=3.3V VDD=3.3V	-	118	-	mA
	Secondary chip DATAWIDTH=H 32bit Output (Full toggle40MHz) REFIN=80MHz				197		
Idd_w2	Normal mode current Primary chip DATAWIDTH=H 27bit Input (Full toggle40MHz) 5bit Output (Full toggle40MHz) REFIN=80MHz	PWR	AVDD=3.3V VDD=3.3V	-	126	-	mA
	Normal mode current Secondary chip DATAWIDTH=H 5bit Input (Full toggle40MHz) 27bit Output (Full toggle40MHz) REFIN=80MHz				184		
Idd_w3	Normal mode current Primary chip DATAWIDTH=H 10bitInput (Full toggle20MHz) 10bitOutput (Full toggle20MHz) REFIN=80MHz	PWR	AVDD=3.3V VDD=3.3V	-	128	-	mA
	Normal mode current Secondary chip DATAWIDTH=H 10bitInput (Full toggle20MHz) 10bitOutput (Full toggle20MHz) REFIN=80MHz				128		
Idd_w4	Normal mode current Primary chip DATAWIDTH=H 16bitInput (Full toggle1MHz) 16bitOutput (Full toggle1MHz) REFIN=80MHz	PWR	AVDD=3.3V VDD=3.3V	-	114	-	mA
	Normal mode current Secondary chip DATAWIDTH=H 16bitInput (Full toggle1MHz) 16bitOutput (Full toggle1MHz) REFIN=80MHz				114		

Idd_w5	Normal mode current Primary chip DATAWIDTH=H 16bit Input (Full toggle1MHz) 16bit Output (Full toggle1MHz) REFIN=40MHz	PWR	AVDD=3.3V VDD=3.3V	-	85	-	mA
	Normal mode current Secondary chip DATAWIDTH=H 16bit Input (Full toggle1MHz) 16bit Output (Full toggle1MHz) REFIN=40MHz				85		
Idd_w6	Normal mode current Primary chip DATAWIDTH=L 16bit Input (Full toggle1MHz) 16bit Output (Full toggle1MHz) REFIN=80MHz	PWR	AVDD=3.3V VDD=3.3V	-	87	-	mA
	Normal mode current Secondary chip DATAWIDTH=L 16bit Input (Full toggle1MHz) 16bit Output (Full toggle1MHz) REFIN=80MHz				87		
Idd_w7	Normal mode current Primary chip DATAWIDTH=L 16bit Input (Full toggle66.67MHz) 16bit Output (Full toggle66.67MHz) REFIN=133.34MHz	PWR	AVDD=3.3V VDD=3.3V	-	190	-	mA
	Normal mode current Secondary chip DATAWIDTH=L 16bit Input (Full toggle66.67MHz) 16bit Output (Full toggle66.67MHz) REFIN=133.34MHz				190		
Idd_w8	Standby mode current 8bit Input(Full toggle6.25kHz)	PWR	AVDD=3.3V VDD=3.3V	-	7	-	mA
	Standby mode current Secondary chip DATAWIDTH=L 8bit Output(Full toggle6.25kHz)				7		
Idd_w9	Standby mode current 8bit Output(Full toggle6.25kHz)	PWR	AVDD=3.3V VDD=3.3V	-	7	-	mA
	Standby mode current Secondary _DATAWIDTH=L 8bit Input(Full toggle6.25kHz)				7		

## 8.2. LVC MOS/Analog input DC specifications

Symbol	Parameter	Type	Conditions	Min	Typ	Max	Unit
VIH	High level input voltage	B,BT,BO	$1.7V \leq VDD < 2.0V$	0.65 VDD	-	VDD	V
			$2.0V \leq VDD < 3.0V$	0.70 VDD	-	VDD	V
			$3.0V \leq VDD \leq 3.6V$	2.0	-	VDD	V
		IL,BL	$1.7V \leq VDD \leq 3.6V$	0.70 VDD	-	VDD	V
VIL	Low level input voltage	B,BT,BO	$1.7V \leq VDD < 2.0V$	0	-	0.35 VDD	V
			$2.0V \leq VDD < 3.0V$	0	-	0.30 VDD	V
			$3.0V \leq VDD \leq 3.6V$	0	-	0.8	V
		IL,BL	$1.7V \leq VDD \leq 3.6V$	0	-	0.30 VDD	V
		AI	$1.7V \leq VDD \leq 3.6V$	0	-	0.15 VDD	V
VOH	High level output voltage	B,BT,BL	$1.7V \leq VDD < 2.0V$ TTLDRV(register)={0} IOH=-2mA	VDD - 0.30	-	VDD	V
			$1.7V \leq VDD < 2.0V$ TTLDRV(register)={1} IOH=-4mA	VDD - 0.45	-	VDD	V
			$2.0V \leq VDD \leq 3.6V$ IOH=-4mA	VDD - 0.45	-	VDD	V
VOL	Low level output voltage	B,BT,BL	$1.7V \leq VDD < 2.0V$ TTLDRV(register)={0} IOL=2mA	0	-	0.30	V
			$1.7V \leq VDD < 2.0V$ TTLDRV(register)={1} IOL=4mA	0	-	0.45	V
			$2.0V \leq VDD \leq 3.6V$ IOL=4mA	0	-	0.45	V
		BO	$1.7V \leq VDD \leq 3.6V$ IOL=2mA	0	-	0.27	V
I <sub>IH</sub>	Input leak current High	IL	V <sub>IN</sub> =VDD	-10	-	10	uA
I <sub>IL</sub>	Input leak current Low	IL	V <sub>IN</sub> =0V	-10	-	10	uA
I <sub>OZH</sub>	Output leak current High in Hi-Z	B,BT,BL,BO	V <sub>IN</sub> =VDD	-10	-	10	uA
I <sub>OZL</sub>	Output leak current Low in Hi-Z	B,BT,BL,BO	V <sub>IN</sub> =0V	-10	-	10	uA

AI: Analog Input buffer

IL: Low speed schmitt trigger LVC MOS Input buffer

B: LVC MOS Bi-directional buffer

BO: Open-drain LVC MOS Bi-directional buffer

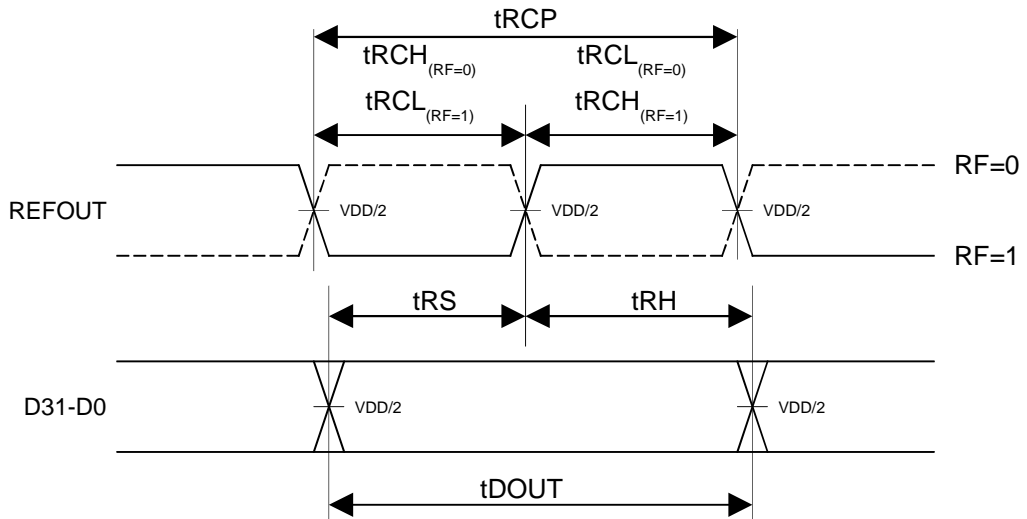
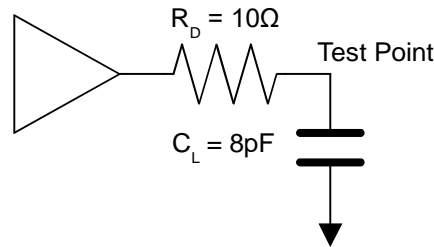
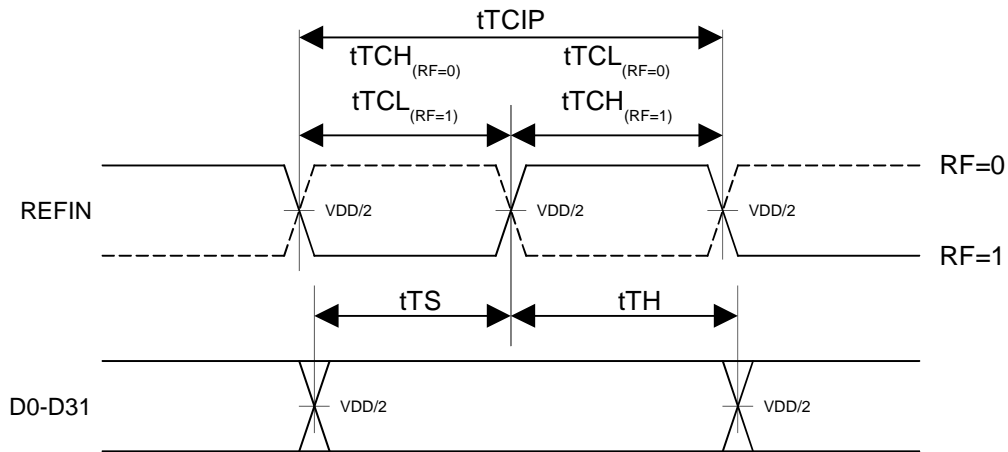
BL: Low speed 5V tolerant schmitt trigger LVC MOS Bi-directional buffer

BT: Low speed 5V tolerant LVC MOS Bi-directional buffer

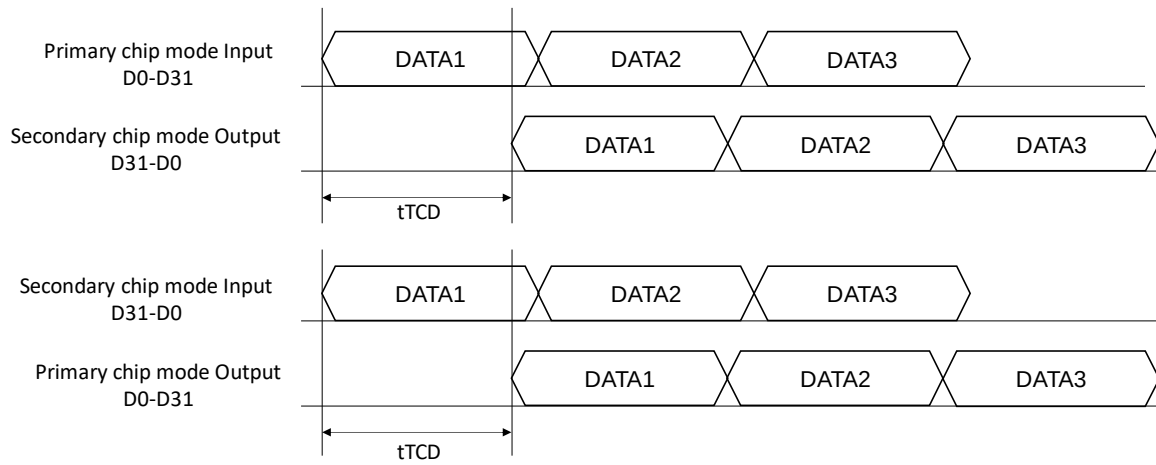
### 8.3. LVC MOS AC characteristics

Symbol	Parameter	Conditions	Min	Typ	Max	Unit
tRSN	RESETN low time	-	3	-	-	us
tTCIP	REFIN period	DATA_WIDTH(pin)=0 1.7V ≤ VDD ≤ 2.25V and TTLDRV(register)={0}	10	-	66.6	ns
		DATA_WIDTH(pin)=0 2.25V ≤ VDD ≤ 3.6V or TTLDRV(register)={1}	7.5	-	66.6	ns
		DATA_WIDTH (pin) =1	12.5	-	111	ns
tTCH	REFIN High time	-	0.35 tTCIP	0.5 tTCIP	0.65 tTCIP	ns
tTCL	REFIN Low time	-	0.35 tTCIP	0.5 tTCIP	0.65 tTCIP	ns
tTS	Data input setup to REFIN	Pin type: B    1.7V ≤ VDD ≤ 3.6V	2.0	-	-	ns
		Pin type:    1.7V ≤ VDD < 2.25V	25	-	-	ns
		BT            2.25V ≤ VDD ≤ 2.75V	2.5	-	-	ns
		2.75V < VDD ≤ 3.6V	2.0	-	-	ns
tTH	Data input hold to REFIN	-	1.0	-	-	ns
tTPD	Power on to RESETN high delay	-	0	-	-	ns
tOSC	Internal oscillator clock period	OSCSEL1(pin)=0 OSCSEL0(pin)=0	41.67	50	62.5	ns
		OSCSEL1(pin)=1 OSCSEL0(pin)=0	20.84	25	31.25	ns
		OSCSEL1(pin)=1 OSCSEL0(pin)=1	10.42	12.5	15.62	ns
tDCP	Data sampling clock period	REFEN(pin)=0	-	tOSC	-	ns
		REFEN(pin)=1	-	tTCIP	-	ns
tFLTCK	Noise filter clock period	REFEN(pin)=0	10.42	12.5	15.62	ns
		REFEN(pin)=1	-	tTCIP	-	ns
tTCD	Input data to output data delay  Note : Transmission delay between primary and secondary chips is not included.	Digital noise filter (in & out) disable Refer to Table 21, Table 22	36.2 tDCP	-	61.3 tDCP	ns
		Digital noise filter (in & out) 4 taps Refer to Table 21, Table 22	46 tDCP	-	73.7 tDCP	ns
		Digital noise filter (in & out) 8 taps Refer to Table 21, Table 22	53.4 tDCP	-	82.1 tDCP	ns
		Digital noise filter (in & out) 16 taps Refer to Table 21, Table 22	68.1 tDCP	-	100.5 tDCP	ns
tRCP	REFOUT period	-	-	tDCP	-	ns
tRCH	REFOUT high time	-	-	0.5 tDCP	-	ns
tRCL	REFOUT low time	-	-	0.5 tDCP	-	ns
tDOUT	Data output period	-	-	tDCP	-	ns
tRS	Data output setup to REFOUT	-	0.45 tDCP - 0.675	-	-	ns
tRH	Data output hold to REFOUT	-	0.45 tDCP - 2.175	-	-	ns
tRRDY	RESETN high to READY high delay	-	-	-	1	ms
tNRDY	STANDBY low to READY high delay	-	0	-	10	ms

Symbol	Parameter	Conditions	Min	Typ	Max	Unit
tSRDY	STANDBY high to READY high delay	-	0	-	10	ms
tTLH	Clock and data output low to high transition time	Clock , TTLDRV(register)={0}	-	-	2.1	ns
		Data(Pin type=B) , TTLDRV(register)={0}	-	-	4.2	ns
		Data(Pin type=BT) , TTLDRV(register)={0}	-	-	5.9	ns
		Clock , TTLDRV(register)={1}	-	-	1.1	ns
		Data(Pin type=B) , TTLDRV(register)={1}	-	-	2.3	ns
		Data(Pin type=BT) , TTLDRV(register)={1}	-	-	3.0	ns
tTHL	Clock and data output high to low transition time	Clock , TTLDRV(register)={0}	-	-	2.1	ns
		Data(Pin type=B) , TTLDRV(register)={0}	-	-	4.3	ns
		Data(Pin type=BT) , TTLDRV(register)={0}	-	-	6.1	ns
		Clock , TTLDRV(register)={1}	-	-	1.1	ns
		Data(Pin type=B) , TTLDRV(register)={1}	-	-	2.2	ns
		Data(Pin type=BT) , TTLDRV(register)={1}	-	-	3.0	ns





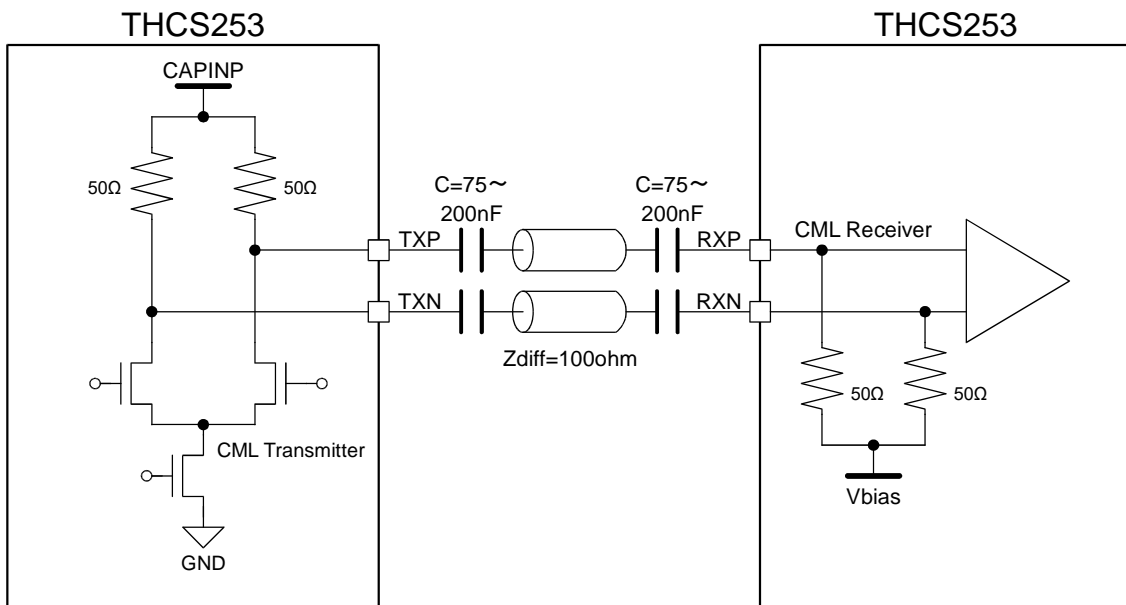
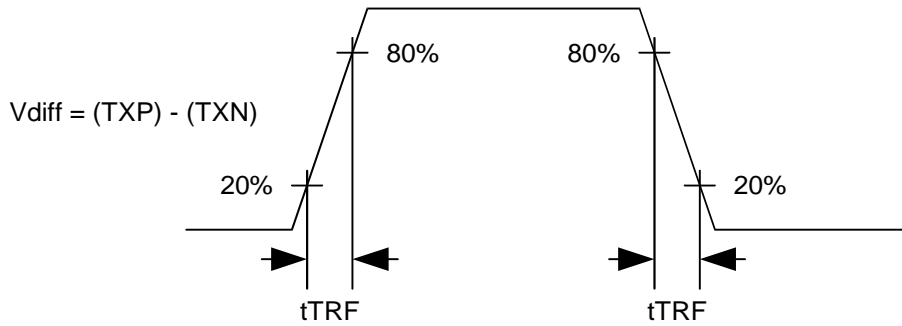
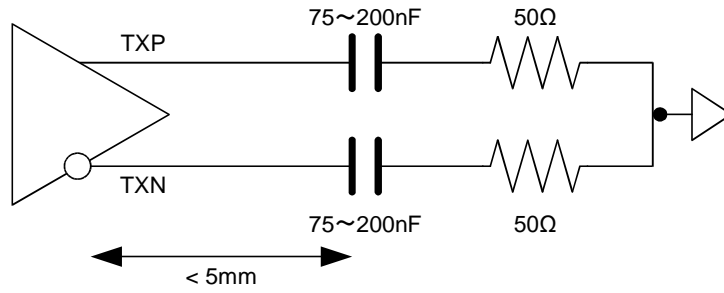


#### 8.4. CML DC characteristics

Symbol	Parameter	Conditions	Min	Typ	Max	Unit
VTOD	CML differential output peak to peak signal	CMLDRV[1:0](register)={00}	266	400	534	mVpp
		CMLDRV[1:0](register)={01} (default)	400	600	800	mVpp
		CMLDRV[1:0](register)={10}	600	800	1000	mVpp
PRE	CML pre-emphasis level	PRE(register)={0} (default)	-	0	-	dB
		PRE(register)={1} CMLDRV[1:0](register)={00}	-	6	-	dB
		PRE(register)={1} CMLDRV[1:0](register)={01}	-	3.52	-	dB
VTOC	CML common mode output voltage	PRE(register)={0} (default)	-	1200 - 0.5 VTOD	-	mV
		PRE(register)={1} CMLDRV[1:0](register)={00}	-	1200 - VTOD	-	mV
		PRE(register)={1} CMLDRV[1:0](register)={01}	-	1200 - 0.75 VTOD	-	mV
ITOH	CML output leak current high	RESETN(pin)=0 TXP/N(pin)=CAPINA(pin)	-30	-	30	uA
ITOS	CML output short current	RESETN(pin)=0 TXP/N(pin)=0V	-80	-	-	mA
VRTH	CML differential input high threshold	-	-	-	50	mV
VRTL	CML differential input low threshold	-	-50	-	-	mV
IRIH	CML input leak current high	RESETN(pin)=0 RXP/N(pin)=CAPINA(pin)	-10	-	10	uA
IRIL	CML input short current low	RESETN(pin)=0 RXP/N(pin)=0V	-10	-	10	uA
IRRIH	CML input current high	RXP/N(pin)=CAPINA(pin)	-	-	2	mA
IRRIL	CML input current low	RXP/N(pin)=0V	-6	-	-	mA
RRIN	CML differential input resistance	-	80	100	120	Ω

#### 8.5. CML AC characteristics

Symbol	Parameter	Conditions	Min	Typ	Max	Unit
tTRF	CML output rise and fall time (20%-80%)	-	50	-	150	ps
tTPLLO	RESETN=H to CML output delay	-	-	-	1	ms
tTPLL1	RESETN=L to CML output high fix	-	-	-	200	ns
tTNP0	READY=L to training pattern output delay	-	-	-	100	us
tTBIT	Output unit interval	DATA_WIDTH(pin)=0	-	tDCP÷30	-	ns
		DATA_WIDTH(pin)=1	-	tDCP÷50	-	ns
tRBIT	Input unit interval	-	250	-	2222	ps

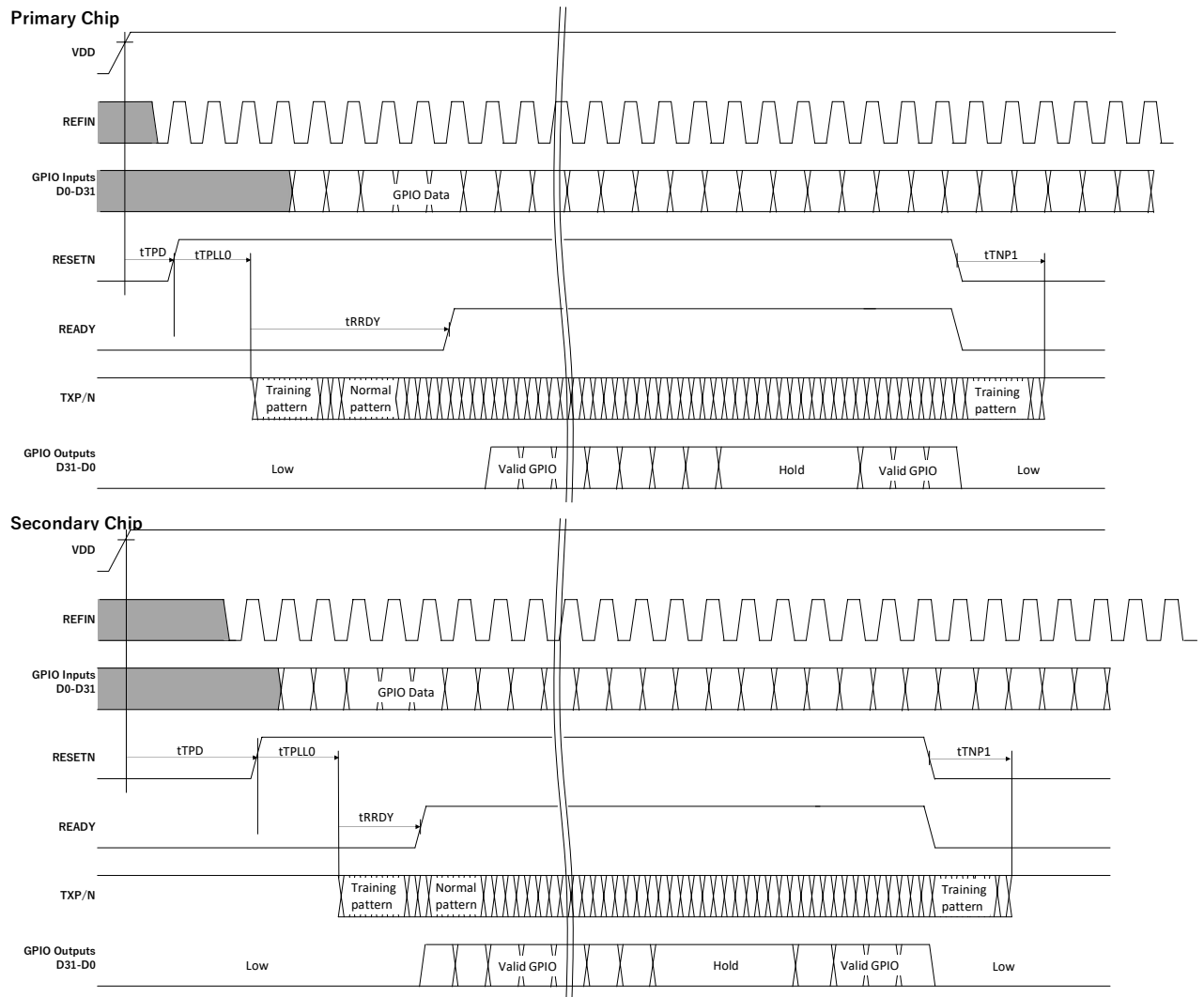


ASYNc mode

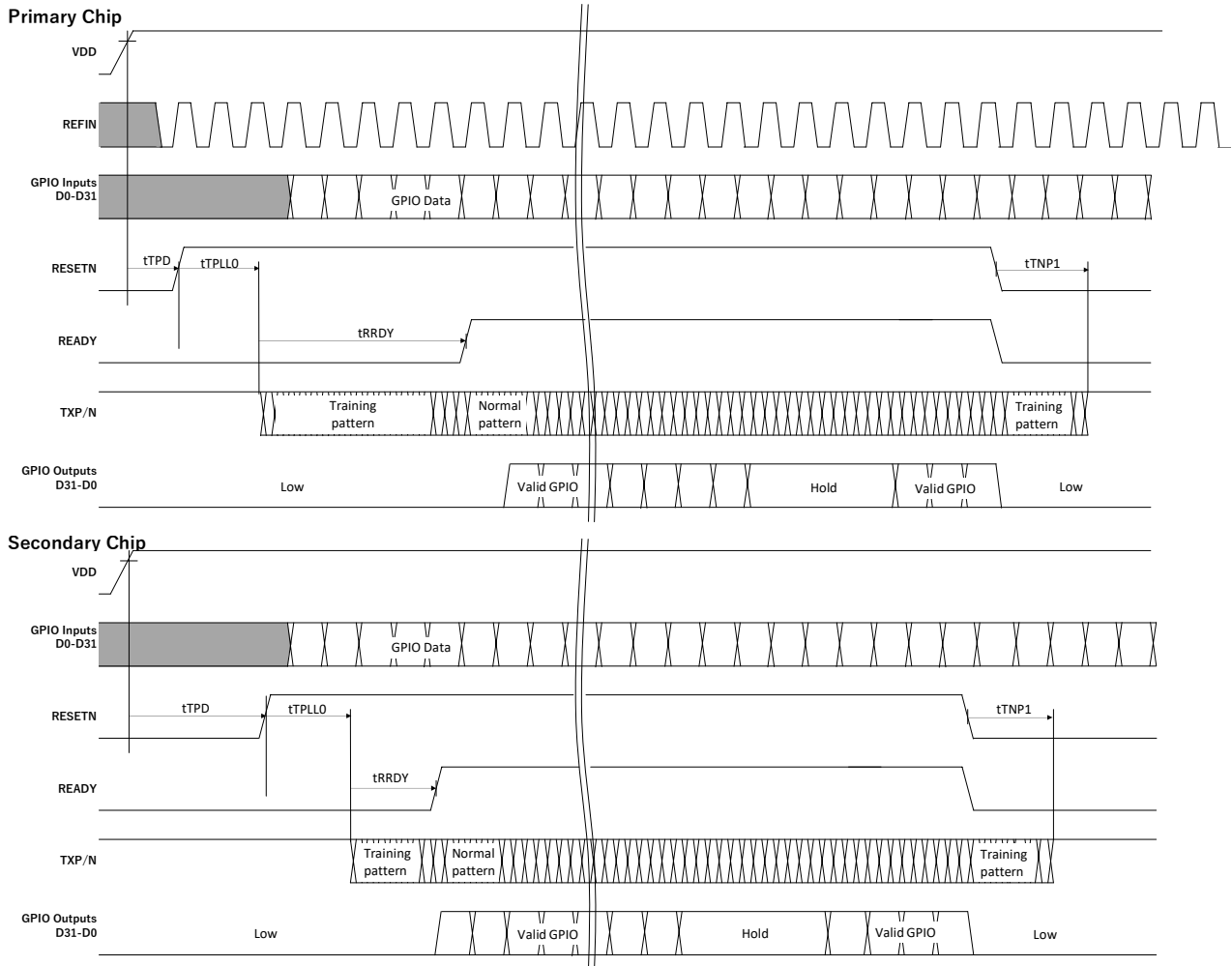
Training pattern output from the primary chip requires RESET=1 and REFIN frequency\*1 input.

Training pattern output from the secondary chip requires RESET=1 and REFIN frequency\*1 input as well as training pattern receive from the primary chip.

\*1: In internal oscillator clock mode with REFEN=0, RESET=1 only.

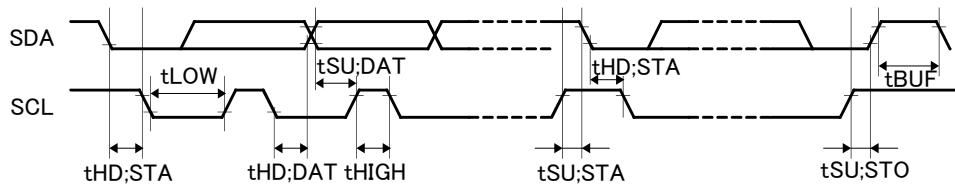


SYNC mode



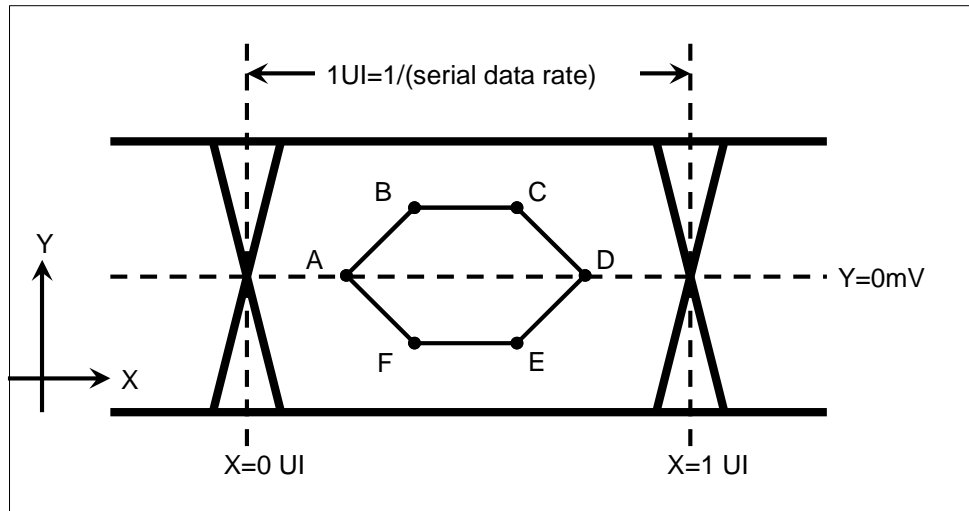
**8.6. 2-wire serial interface DC/AC characteristics**

Symbol	Parameter	Condition	Min	Typ	Max	Unit
VIL	Low level input voltage	-	0	-	0.30 VDD	V
VIH	High level input voltage	-	0.7 VDD	-	-	V
VOL	Low level output voltage	$1.7V \leq VDD \leq 3.6V$ $IOL=2mA$	0.00	-	0.26	V
$I_i$	Input current each I/O pin	-	-10	-	+10	$\mu A$
fSCL	SCL clock frequency	-	0	-	1000	kHz
tSU;STA	Setup time (repeated) START condition	fSCL > 400kHz	0.26	-	-	us
		fSCL $\leq$ 400kHz	0.6	-	-	us
tHD;STA	Hold time (repeated) START condition	fSCL > 400kHz	0.46	-	-	us
		fSCL $\leq$ 400kHz	0.8	-	-	us
tLOW	Low period of the SCL clock	fSCL > 400kHz	0.5	-	-	us
		fSCL $\leq$ 400kHz	1.3	-	-	us
tHIGH	High period of the SCL clock	fSCL > 400kHz	0.26	-	-	us
		fSCL $\leq$ 400kHz	0.6	-	-	us
tHD;DAT	Data hold time	-	0	-	-	us
tSU;DAT	Data setup time	fSCL > 400kHz	50	-	-	ns
		fSCL $\leq$ 400kHz	100	-	-	ns
tSU;STO	Setup time for STOP condition	fSCL > 400kHz	0.26	-	-	us
		fSCL $\leq$ 400kHz	0.6	-	-	us
tBUF	Bus free time between a STOP and START condition	fSCL > 400kHz	0.5	-	-	us
		fSCL $\leq$ 400kHz	1.3	-	-	us
tr	Rise time of both SDA and SCL signals	-	-	-	300	ns
tf	Fall time of both SDA and SCL signals	-	-	-	300	ns



**9. CML Line diagram**

**9.1. CML input diagram**



	X[UI]	Y[mV]
A	0.25	0
B	0.3	50
C	0.7	50
D	0.75	0
E	0.7	-50
F	0.3	-50

## 10. Function

### 10.1. Function overview

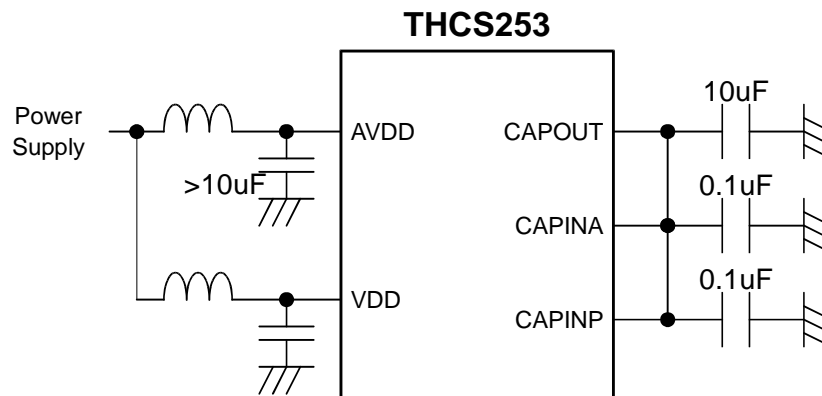
The THCS253 integrates a high-speed CML serializer and deserializer on a single chip. It is capable of aggregating and de-aggregating up to 32-bit parallel GPIO signals and a 2-wire serial interface with full-duplex communication using two pairs of differential signals with a minimum of external components. Low-power standby mode supports up to 8-bit low-speed GPIO signals and 2-wire serial interface. In addition, the internal oscillator mode does not require an external clock generator such as a crystal oscillator. Two THCS253s (one pair) can be used to monitor and control peripheral devices via a 2-wire serial interface or GPIO. In the event of a communication error, the GPIO signal is held and an interrupt signal is used to notify the user.

### 10.2. Power supply

#### 10.2.1. Internal regulator output/input function (CAPOUT, CAPINA, CAPINP)

The internal regulator generates 1.2V (CAPOUT) for internal use only. Do not use for other external loads. CAPOUT should be bypassed to GND with 10uF as a power supply pin; AVDD should be bypassed to GND with 10uF or more.

CAPINP and CAPINA supply the reference voltage for the internal analog circuitry. To reduce high frequency noise, CAPINP/CAPINA should be bypassed to GND with 0.1uF as a power supply pin. CAPOUT, CAPINA and CAPINP should be wired as shown in the figure below.



**Figure 1 Connection of CAPOUT, CAPINA, CAPINP and decoupling capacitor**



### 10.3. Chip Operating state

Basic operating states related to power consumption of the THCS253, such as reset, OE, and standby.

**Table 4 Operating mode setting**

Operating mode	Setting				Description
	RESETN (pin)	ENI2C0 (pin)	STANDBY (register)	OE *1 (pin)	
RESET	0	-	-	-	Chip reset 2-wire serial interface disable All outputs are Hi-Z
Normal operation (2-wire serial interface Disable)	1	0	0	0	Normal operation 2-wire serial interface disable All outputs are Hi-Z
	1	0	0	1	Normal operation 2-wire serial interface disable GPIO normal operation
Normal operation (2-wire serial interface enable)	1	1	{0}	0	Normal operation 2-wire serial interface enable All outputs are Hi-Z
	1	1	{0}	1	Normal operation 2-wire serial interface enable GPIO normal operation
Standby	1	1	{1}	0	Low power consumption/low frequency sampling rate operation 2-wire serial interface enable GPIO 8bit Hi-Z
	1	1	{1}	1	Low power consumption/low frequency sampling rate operation 2-wire serial interface enable GPIO 8bit low speed communication Enable

\*1 When OVERRIDE\_OEN(register) = {1} is selected, the OE(pin) state is disabled.

### 10.4. Chip operation mode

#### 10.4.1. Chip configuration

The THCS253 has two modes, Primary chip mode and Secondary chip mode, which are selected by the PSSEL pin. The THCS253 is connected and used in a pair of Primary chip mode t and Secondary chip mode.

**Table 5 Primary chip and Secondary chip selection**

PSSEL (pin)	Description
0	Primary chip mode
1	Secondary chip mode

### 10.4.2. Operating clock mode select

The THCS253 selects synchronous or asynchronous operation of downstream and upstream by the SYNCEN pin selection in the secondary chip mode.

#### Synchronous mode

The primary chip samples data by its own clock. The secondary chip samples data using the CDR (Clock Data Recovery) clock generated by the deserializer, and the downstream and upstream operate synchronously.

#### Asynchronous mode

Data sampling is performed with the clocks of both Primary chip and Secondary chip, and downstream and upstream operate asynchronously.

**Table 6 Downstream / Upstream synchronous setting**

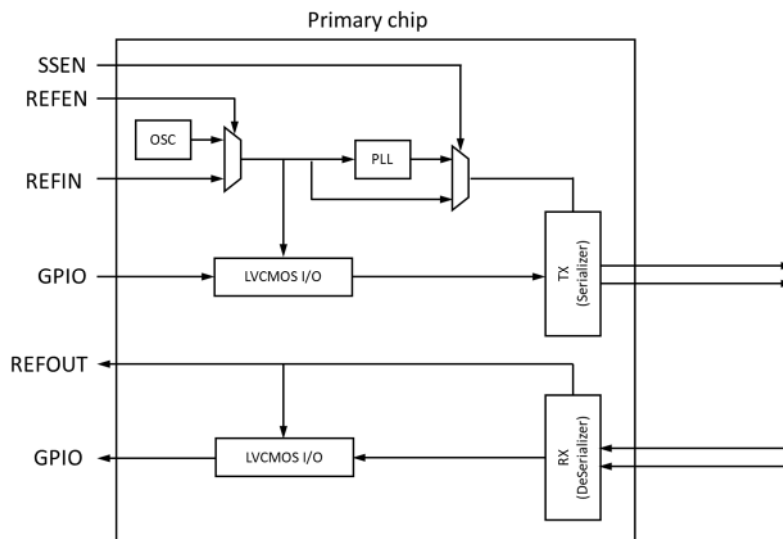
SYNCEN(pin) of Secondary chip	Description
0	Asynchronous mode : Operates at both clocks
1	Synchronous mode : Operates at the clock of the primary chip

### 10.4.3. Operating clock select

THCS253 allows selection of the clock used to input data sampling and drive the serializer/deserializer.

**Table 7 Operating clock select**

REFEN(pin)	Description
0	Internal Oscillator Clock Mode : 20M/40M/80MHz
1	External reference clock mode : 9-133MHz



**Figure 2 Clock Tree diagram of Primary chip**

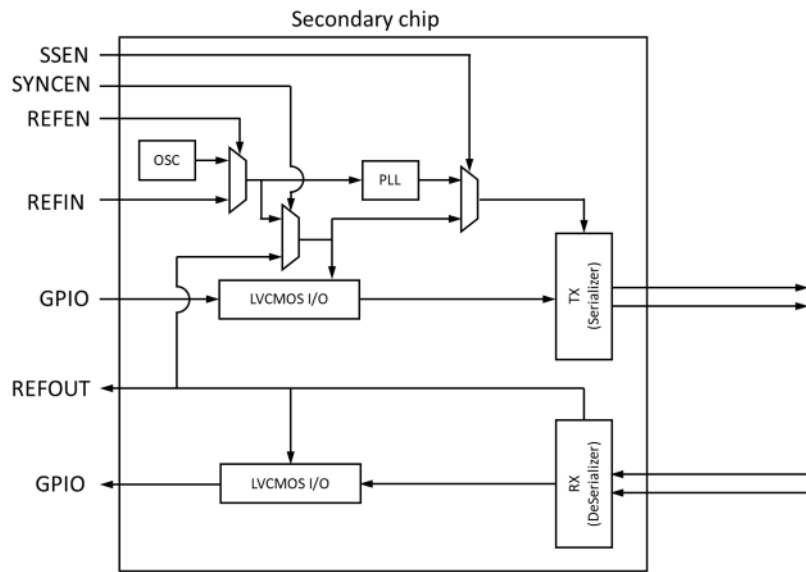


Figure 3 Clock Tree diagram of Secondary chip

**10.4.4. Combination of operating modes**

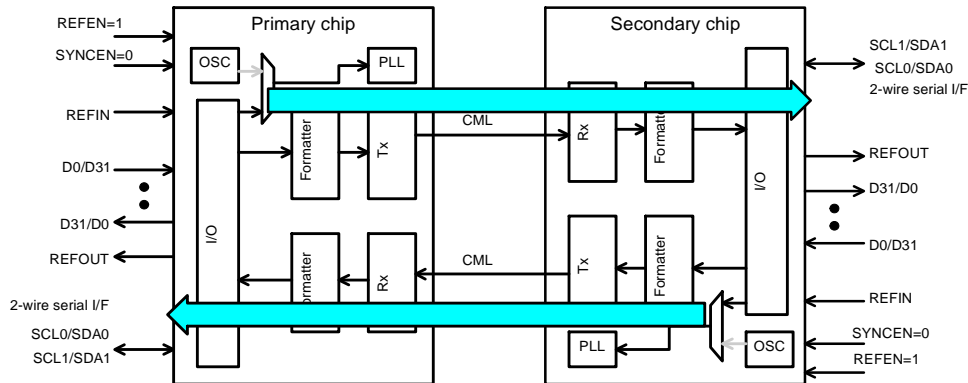
Transmit operation of the THCS253 is determined by the combination of the PSSEL, REFEN, and SYNCEN pins.

**Down/Up Asynchronous mode(SYNCEN=0 of secondary chip)/External reference clock mode(REFEN=1)**

Data sampling and driven by the REFEN input of each primary chip/secondary chip.

Different frequencies can be input to the Primary chip and Secondary chip.

Downstream and upstream can be taken and output synchronized to their respective REFEN inputs.



**Figure 4 ASYNC\_MODE / Ext.REF\_MODE Block diagram**

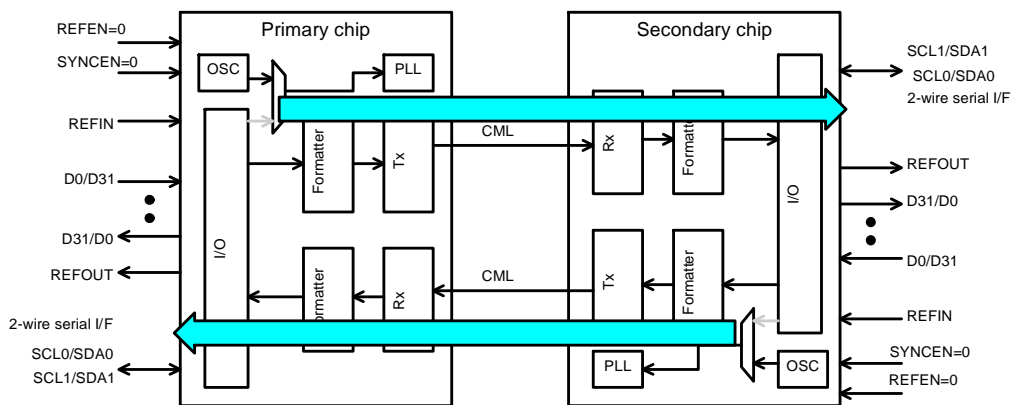
**Down/Up Asynchronous mode(SYNCEN=0 of secondary chip)/Internal oscillator clock mode(REFEN=0)**

Data sampling and driven by the internal oscillator clock of each primary chip/secondary chip.

Selectable from 20/40/80MHz by OSCSEL [1:0] pin setting.

Different frequencies can be selected for the internal oscillator of the Primary chip/Secondary chip.

All input data is asynchronous acquisition because of sampling by the internal oscillator. Output data is synchronized with REFOUT.



**Figure 5 ASYNC\_MODE / Int.OSC\_MODE Block diagram**

**Down/Up Asynchronous mode(SYNCEN=0 of secondary chip)/External reference clock mode(REFEN=1) and Internal oscillator clock mode(REFEN=0)**

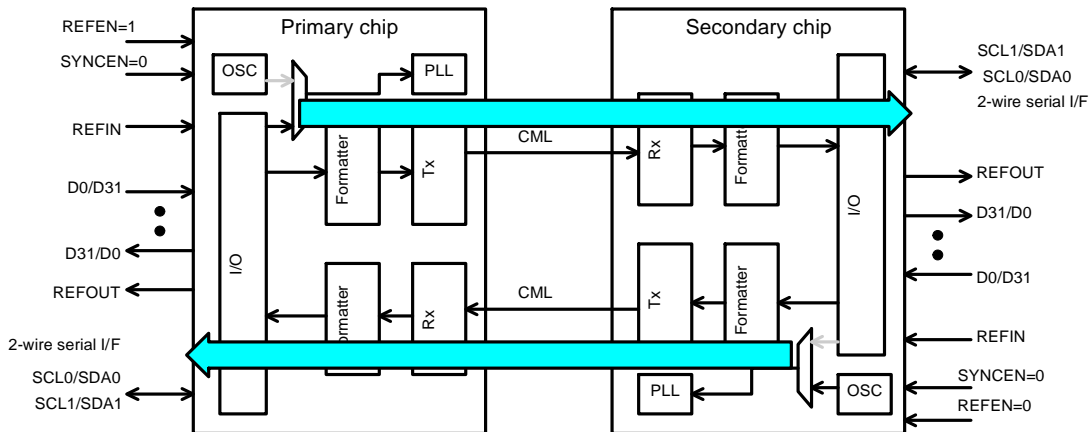
Data sampling and driven by the REFIN input of either the Primary chip or the Secondary chip.

Either the primary chip/secondary chip is driven and sampled by the internal oscillator.

Selectable from 20/40/80MHz by OSCSEL [1:0] pin setting.

The external reference clock drive side can be synchronized with the REFIN input for take-up and output.

The internal oscillator drive side is all asynchronous acquisition. Output data is synchronized with REFOUT.



**Figure 6 ASYNC\_MODE / Ext.REF\_MODE & Int.OSC\_MODE Block diagram**

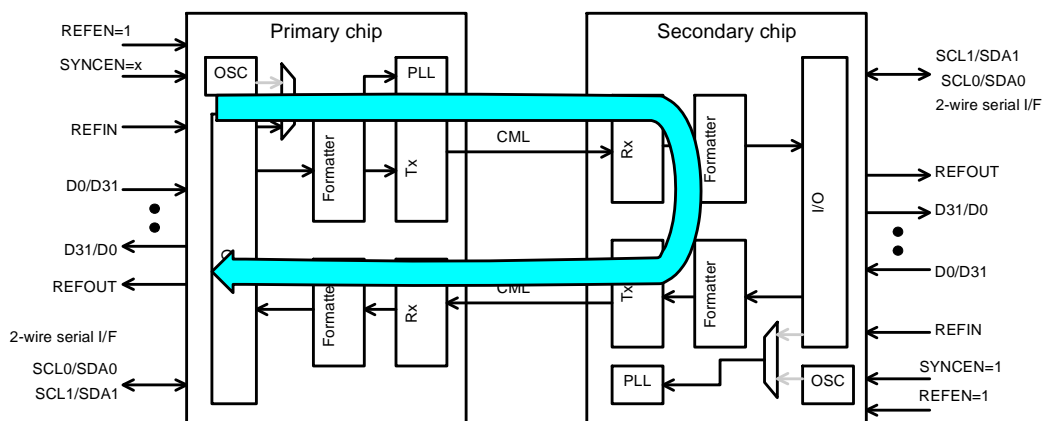
**Down/Up Synchronous mode(SYNCEN=1 of secondary chip)/External reference clock mode(REFEN=1)**

Driven and data sampling only by REFIN to the primary chip. (Input to REFIN of the secondary chip is prohibited)

Secondary chip uses the clock regenerated by the receiver for data sampling and driving the transmitter.

Downlink take-up and output synchronized with REFIN input.

The uplink is asynchronous acquisition due to sampling with the CDR-generated clock.



**Figure 7 SYNC\_MODE / Ext.REF\_MODE Block diagram**

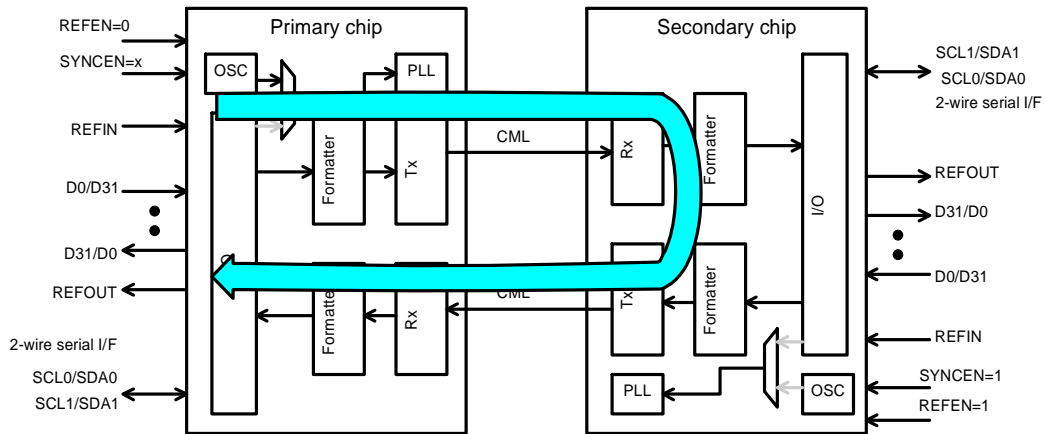
**Down/Up Synchronous mode(SYNCEN=1 of secondary chip)/Internal oscillator clock mode(REFEN=0)**

It is sampled and driven by the built-in oscillator of the primary chip.

Selectable from 20/40/80MHz by OSCSEL [1:0] pin setting.

Secondary chip uses the clock regenerated by the receiver for data sampling and driving the transmitter.

All input data is asynchronous acquisition because of sampling by the internal oscillator. Output data is synchronized with REFOUT.



**Figure 8 SYNC\_MODE / Int.OSC\_MODE Block diagram**

**10.5. Byte mode and frequency range**

The THCS253 switches between transmitter and receiver operating byte modes (3 bytes or 5 bytes) by selecting DATA\_WIDTH (pin). The external reference clock frequency in each byte mode with REFEN (pin) = 1 and the operating frequency with OSCSEL [1:0] (pin) setting when REFEN (pin) = 0 are shown below.

**Table 8 DATAWIDTH select and external reference clock frequency range**

DATA_WIDTH (pin)	REFIN frequency range	CML data rate
0	15 - 133MHz	450Mbps - 4Gbps
1	9 - 80MHz	

**Table 9 DATAWIDTH and OSCSEL[1:0] select**

RF_OUT/OSCSEL1 (pin)	RF_IN/OSCSEL0 (pin)	DATA_WIDTH (pin)	OSC frequency	CML data rate
0	0	0	20MHz±20%	480Mbps - 720Mbps
		1		800Mbps - 1200Mbps
0	1	0	40MHz±20%	960Mbps - 1440Mbps
		1		1600Mbps - 2400Mbps
1	0	0	40MHz±20%	960Mbps - 1440Mbps
		1		1600Mbps - 2400Mbps
1	1	0	80MHz±20%	1920Mbps - 2880Mbps
		1		Prohibition

### 10.6. 2-wire serial interface

#### 10.6.1. 2-wire serial interface setting

THCS253 has two 2-wire serial interfaces (I2C0: SDA0/SCL0, I2C1: SDA1/SCL1)

**Table 10 2-wire serial interface Setting**

ENI2C0(pin)	ENI2C1(register)	I2C0 (SCL0/SDA0)	I2C1 (SCL1/SDA1)
0	-	Disable	Disable
1	0 *Default	Enable	Disable
	1	Enable	Enable

2-wire serial controller/target can be selected independently from Primary chip / Secondary chip mode settings.

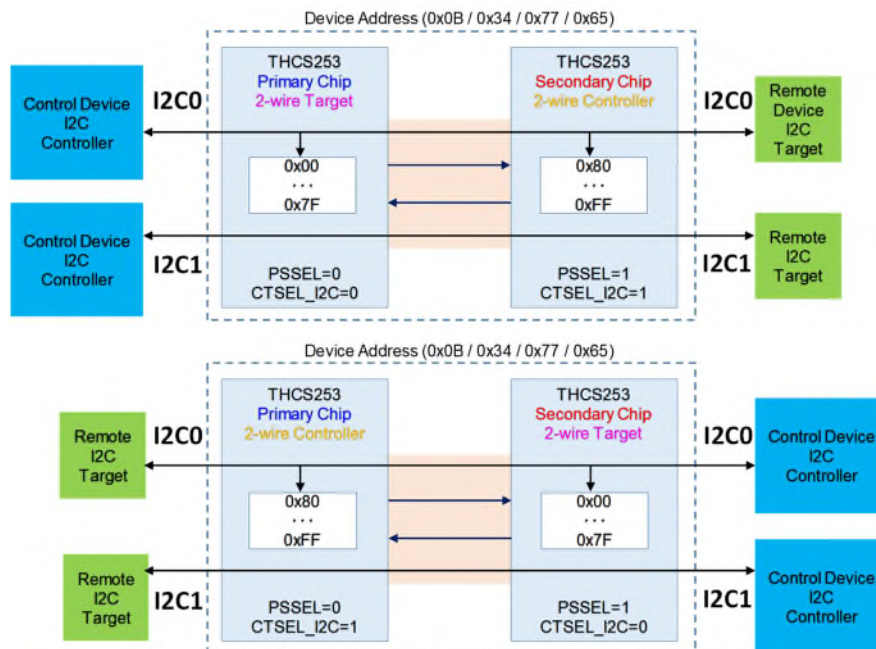
**Table 11 2-wire serial interface controller / target select**

CTSEL_I2C(pin)	I2C mode
0	Target
1	Controller

I2C0 and I2C1 have different accessible ranges.

**Table 12 2-wire serial interface accessible range**

	Primary chip register	Secondary chip register	Remote device register
<b>I2C0</b>	Accessible	accessible	accessible
<b>I2C1</b>	Unaccessible	Unaccessible	accessible



**Figure 9 2-wire serial interface accessible range**



**Table 13 Combination of PSEL(pin) and CTSEL\_I2C(pin)**

	Primary chip	Secondary chip	Internal register access	Remote device register access
1	2-wire target	2-wire controller	Cdv => Pch => Sch *	Cdv => Pch => Sch => Rdv *
2	2-wire controller	2-wire target	Pch <= Sch <= Cdv *	Rdv <= Pch <= Sch <= Cdv *
3	2-wire target	2-wire target	Cdv => Pch / Sch<= Cdv *	Not allowed
4	2-wire controller	2-wire controller	Not allowed	Not allowed

\*Pch : Primary chip / Sch : Secondary chip / Cdv : Control device / Rdv : Remote device

**10.6.2. Clock stretching**

**2-wire serial controller device connected to the THCS253 must support clock stretching.**

Access from the 2-wire serial target (control device side) to the 2-wire serial controller (remote device side) of the THCS253 involves a clock stretch every 8 bits.

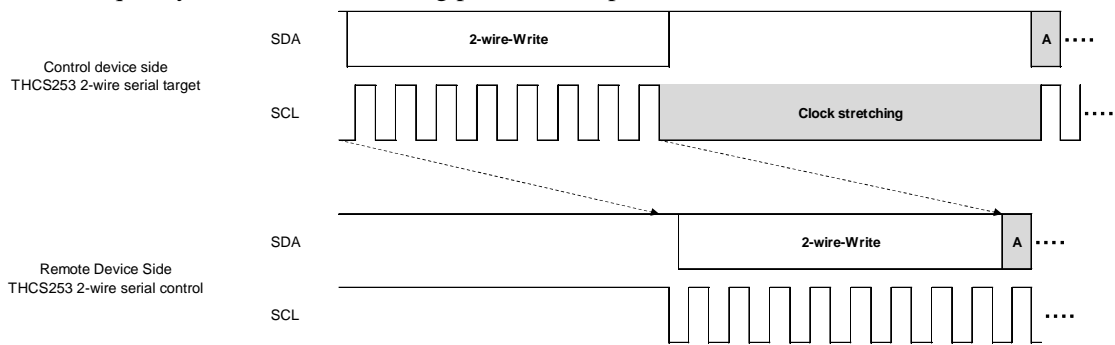
Clock stretching period:

(Internal latency of THCS253) + (WRITE time to remote device) + (Response time of remote device ACK/READ data) [ns]

$(tDCP \times 70 + 350) + (I2C \text{ controller bit rate} * 8) + \text{Response time of remote device [ns]}$

\*Can be set by I2CPERIOD [1:0] register (Default 100KHz)

Effective I2C frequency =  $1 / (\text{Clock stretching period} + \text{SCL period})$



**Figure 10 Clock stretching of I2C communication**

### 10.6.3. Device Address

To access the THCS253 registers, IDSEL1 (pin) and IDSEL0 (pin) must be set and the device address must be selected. The device address must be set only on the 2-wire serial target set to CTSEL\_I2C=0. The device address set on IDSEL1 and IDSEL0 cannot be used as the device address of a remote device.

**Table 14 Device ID setting**

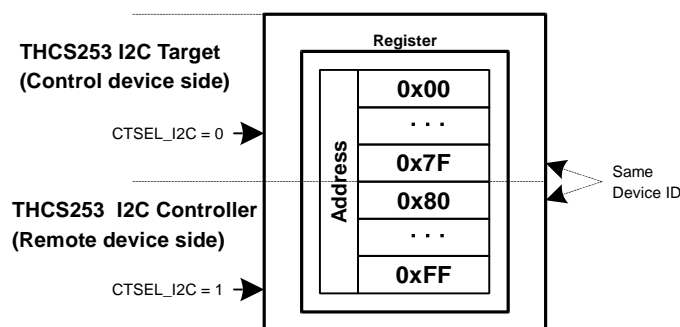
Setting		Device address [6:0] (HEX) / (BIN)
IDSEL1 (pin)	IDSEL0 (pin)	
0	0	0x0B / 000_1011
0	1	0x34 / 011_0100
1	0	0x77 / 111_0111
1	1	0x65 / 110_0101

### 10.6.4. 2-wire serial controller / target register address space

The THCS253 identifies the 2-wire serial target (on the control device side) and the 2-wire serial controller (on the remote device side). Burst access across the boundary between the 2-wire serial target (control device side) and the 2-wire serial controller (remote device side) is prohibited.

**Table 15 Register address configuration**

Register address	Description
0x00 - 0x7F	2-wire serial target (Control device side)
0x80 - 0xFF	2-wire serial controller (Remote device side)



**Figure 11 Register address mapping**

### 10.6.5. 2-wire serial controller SCL frequency

2-wire serial controller chip with CTSEL\_I2C=1 can set the SCL frequency in the register. The default is 100 kbps.

**Table 16 2-wire serial bitrate setting**

Register Address	Name	Description
0x26	I2CPERIOD0	2-wire serial controller bit rate setting (SCL0) 10,000 / I2CPERIOD0 kbps
0x27	I2CPERIOD1	2-wire serial controller bit rate setting (SCL1) 10,000 / I2CPERIOD0 kbps

### 10.6.6. 2-wire serial interface watch dog timer setting

The 2-wire serial interface of the THCS253 has a watchdog timer function that resets the internal state if communication stops for some reason, such as an external factor, and the internal state continues to not advance. The time until the watchdog timer is activated can be set in an internal register.

**Table 17 2-wire serial interface watch Dog Timer setting**

Register Address	bit	Name	Description
0x28	7:4	I2C_WDT_STBY	2-wire serial watch dog timer (standby) 0:Disable / 50ms ~ 1650s
	3:0	I2C_WDT	2-wire serial watch dog timer (Normal mode) Controller 0:Disable / 0.0123ms - 403ms Target 0:Disable / 0.0246ms - 806ms

### 10.6.7. THCS253 internal register access protocol via 2-wire serial interface

The THCS253 2-wire serial interface protocol includes the following three types: (1) 2-wire serial target register access, (2) 2-wire serial controller access, and (3) 2-wire serial remote device access.

#### (1) THCS253 2-wire serial target register access

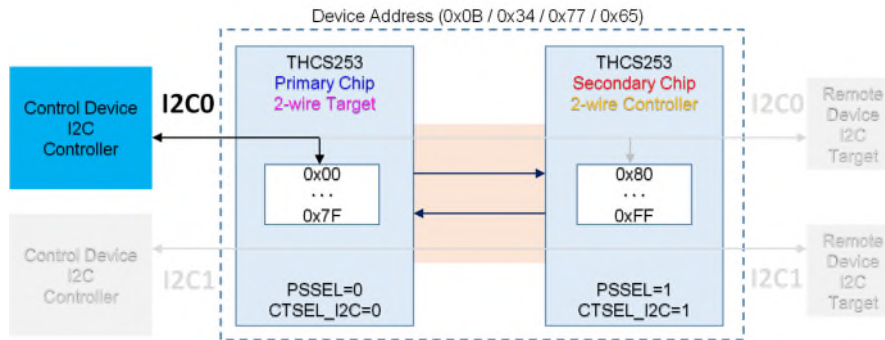
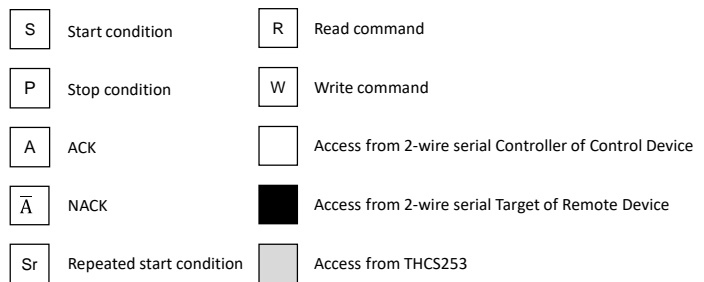
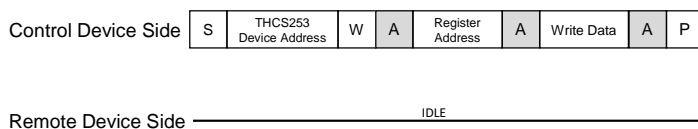


Figure 12 2-wire serial target register access



#### Single Byte write



#### Burst write

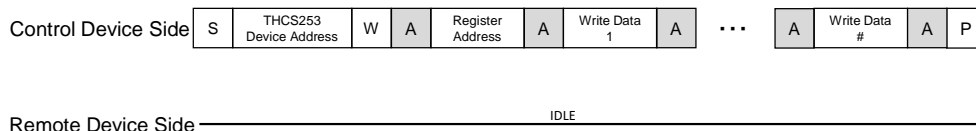
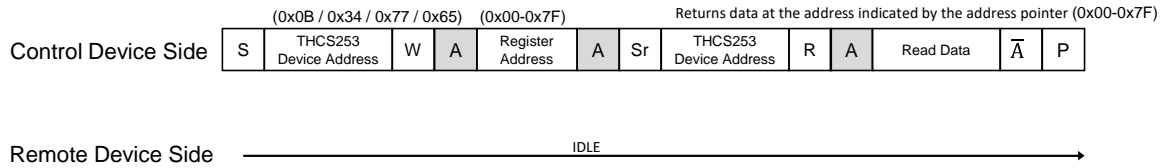
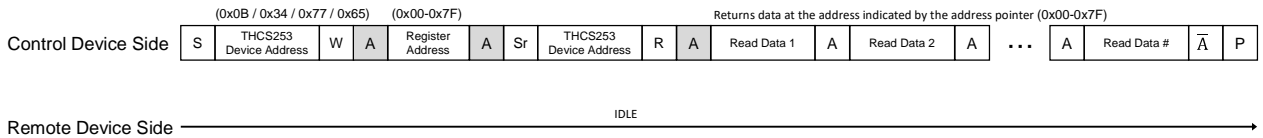


Figure 13-1 2-wire serial target register access protocol

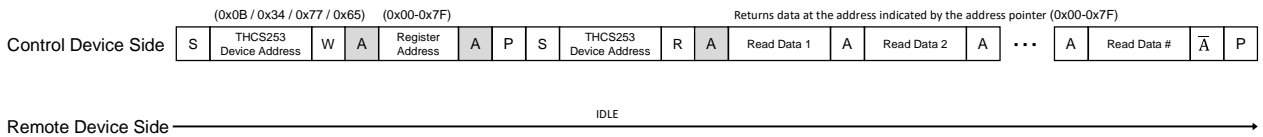
Single Byte read with repeated start command



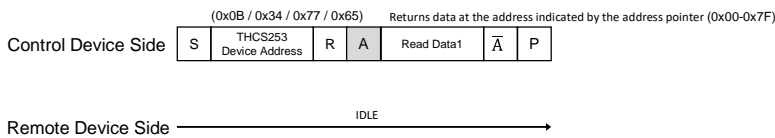
Burst read with repeated start command



Burst read with stop and start command



Single Byte read without repeated start condition



Burst read without repeated start condition

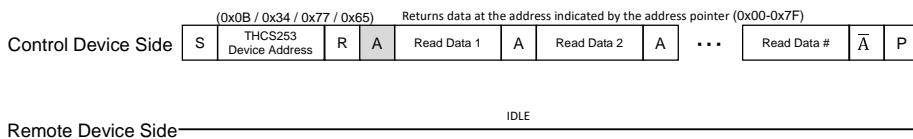


Figure 14-2 2-wire serial target register access protocol

(2) THCS253 2-wire serial controller register access

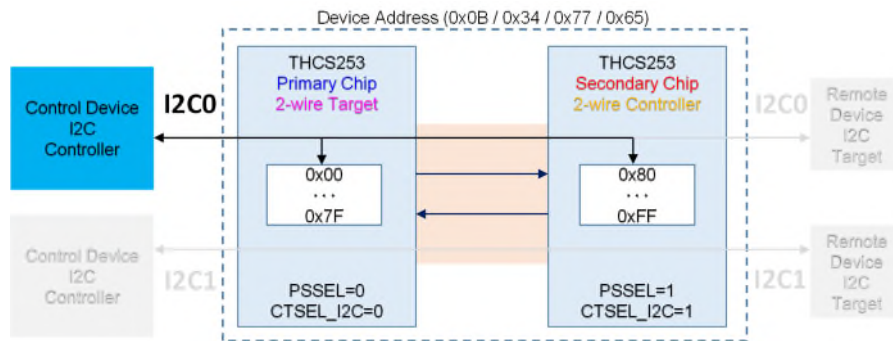
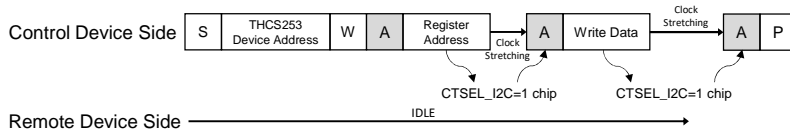


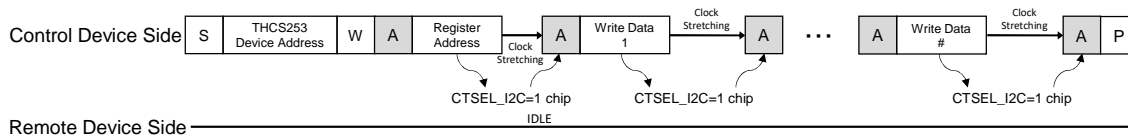
Figure 15 2-wire serial controller register access

- |           |                          |  |               |
|-----------|--------------------------|--|---------------|
| S         | Start condition          | R  | Read command  |
| P         | Stop condition           | W  | Write command |
| A         | ACK                      | Access from 2-wire serial Controller of Control Device |               |
| $\bar{A}$ | NACK                     | Access from 2-wire serial Target of Remote Device      |               |
| Sr        | Repeated start condition | Access from THCS253                                    |               |

Single Byte write



Burst write



Single Byte read with repeated start command

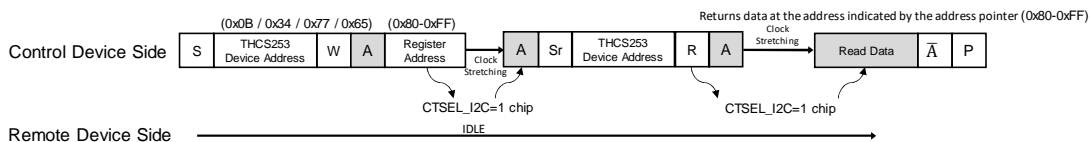
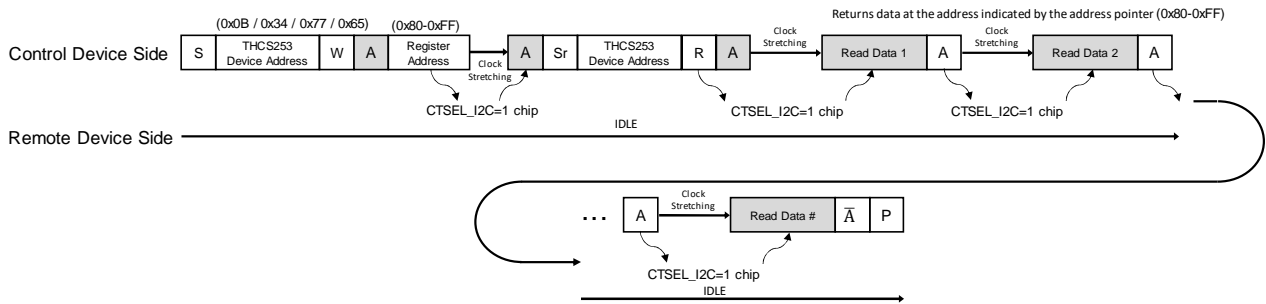
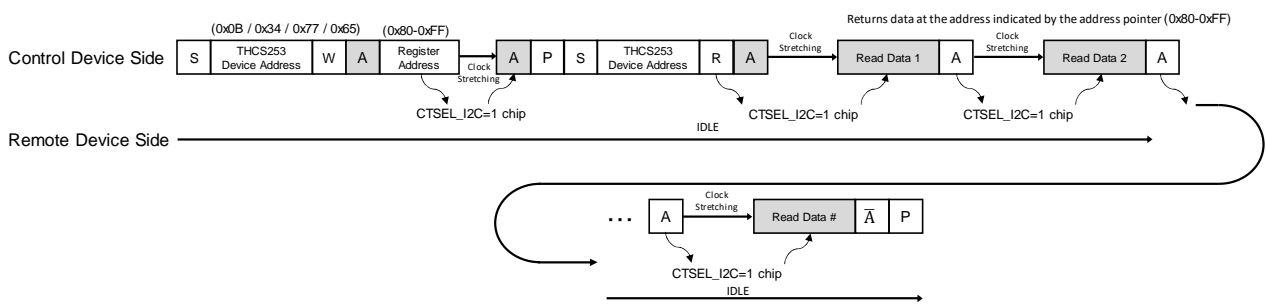


Figure 16-1 2-wire serial controller register access protocol

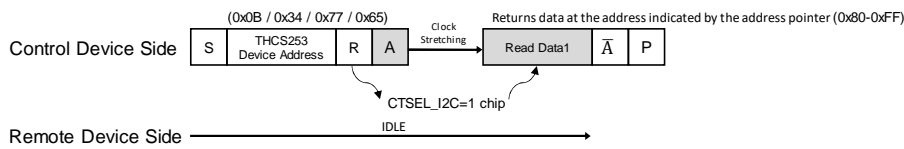
Burst read with repeated start command



Burst read with stop and start command



Single Byte read without repeated start condition



Burst read without repeated start condition

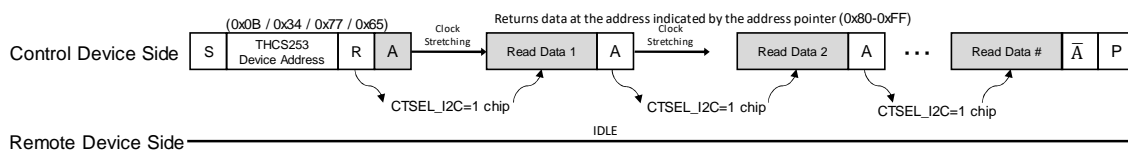


Figure 17-2 2-wire serial controller register access protocol

(3) 2-wire serial remote device access. Note: Partially includes access to THCS253.

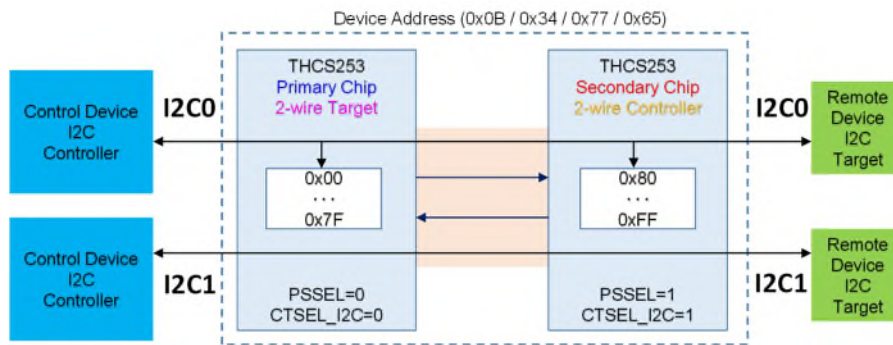
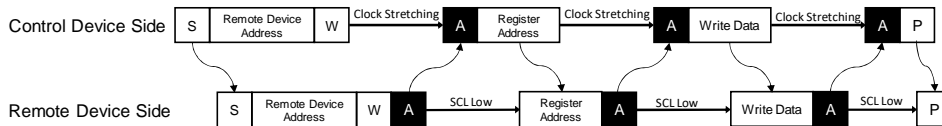


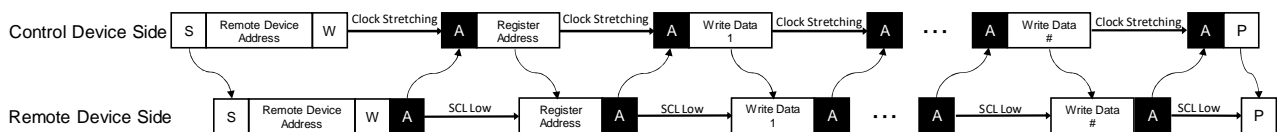
Figure 18 2-wire serial remote device access

- |                          |  |
|--------------------------|--|
| Start condition          | Read command   |
| Stop condition           | Write command  |
| ACK                      | Access from 2-wire serial Controller of Control Device |
| NACK                     | Access from 2-wire serial Target of Remote Device      |
| Repeated start condition | Access from THCS253                                    |

Single Byte write



Burst write



I2C detect write command

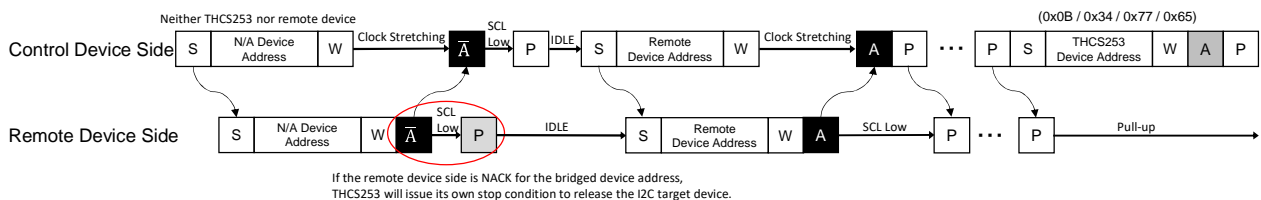
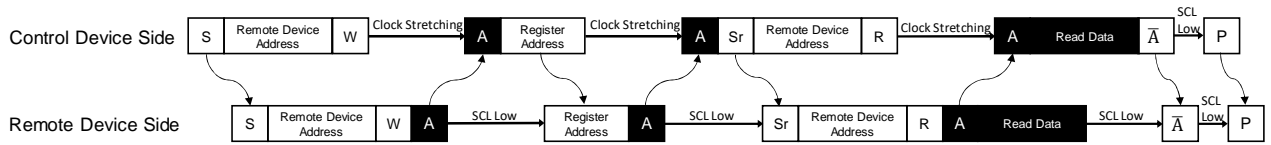


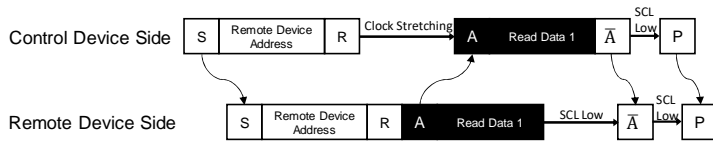
Figure 19-1 2-wire serial remote device access protocol



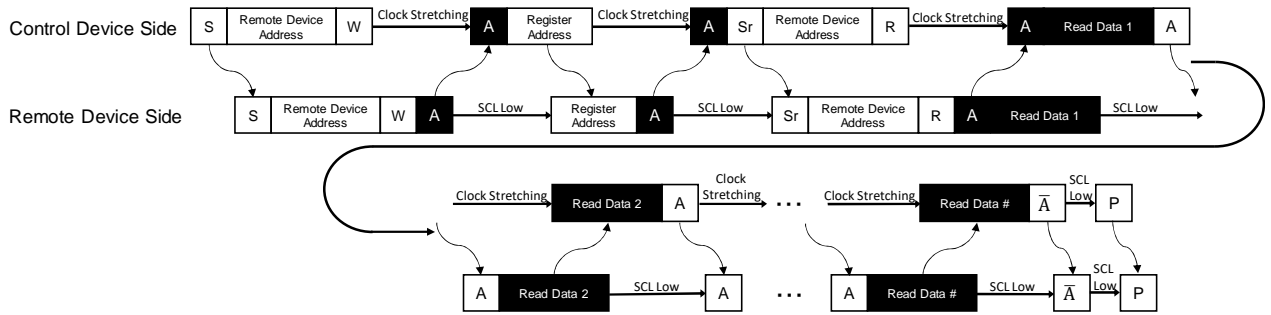
Single Byte read with repeated start condition



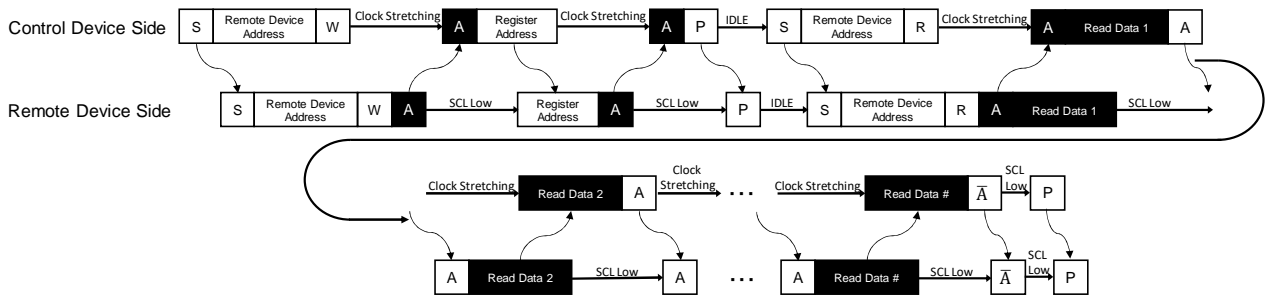
Single Byte read without repeated start condition



Burst read with repeated start condition



Burst read with stop and start condition



Burst read without repeated start condition

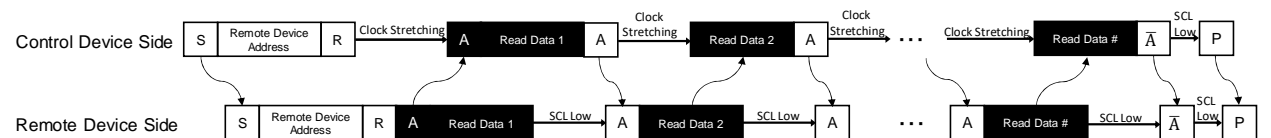
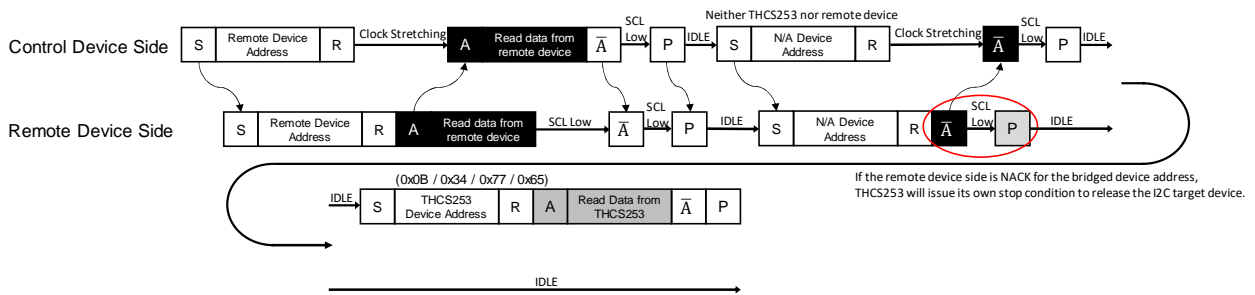
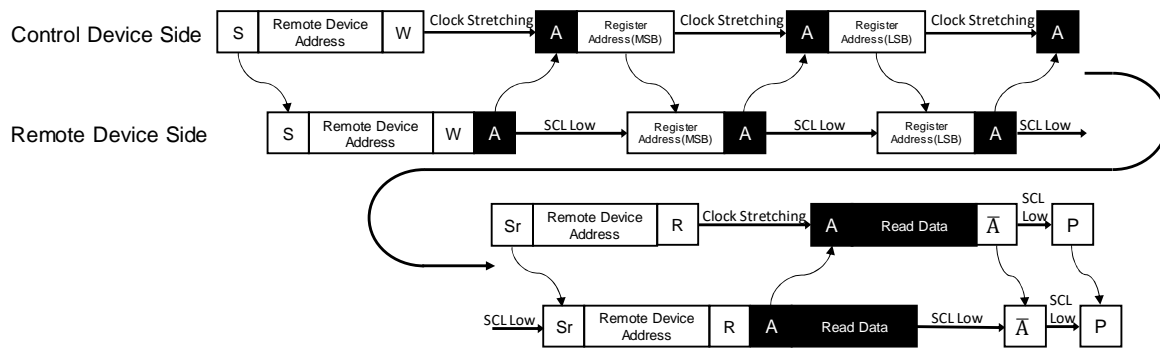


Figure 20-1 2-wire serial remote device access protocol

I2C detect read command



2Byte addressing device read with repeated start condition



2Byte addressing device read with stop and start condition

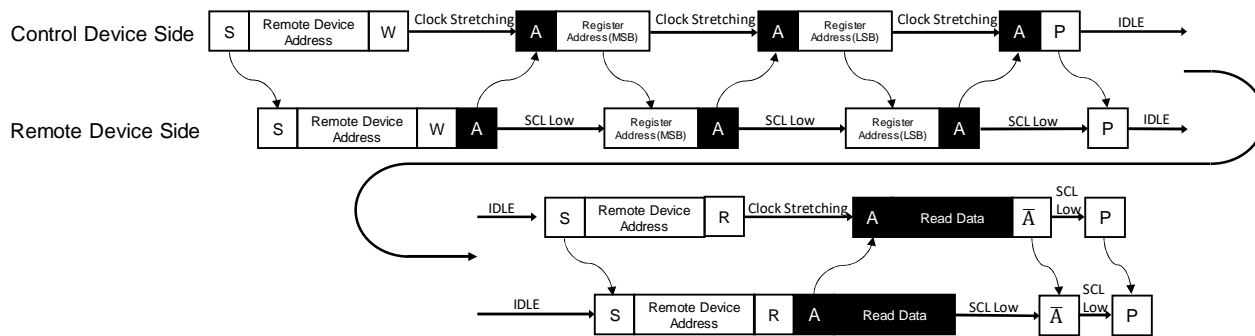


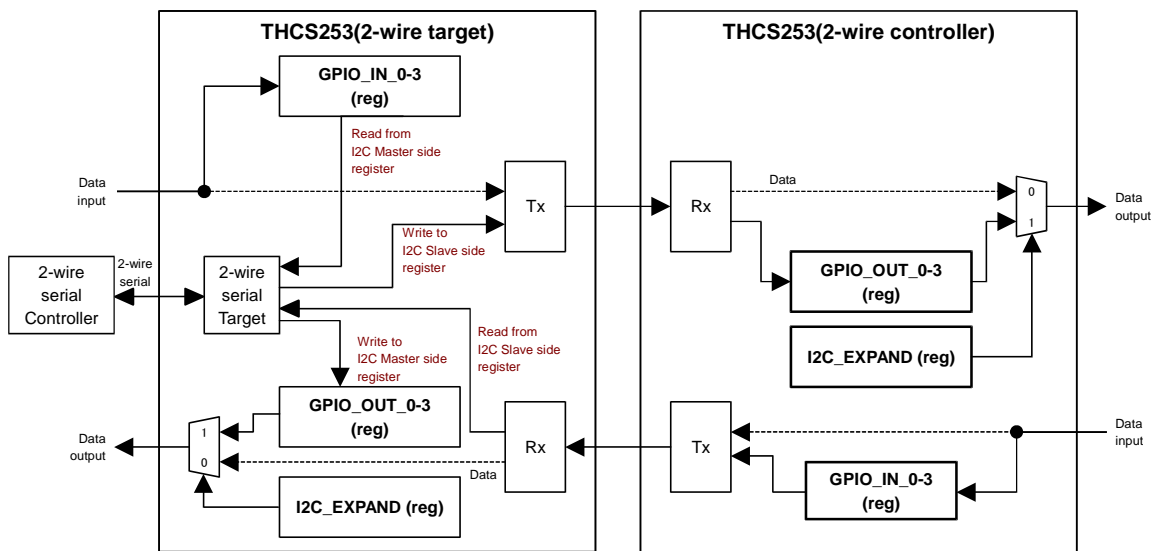
Figure 21-3 2-wire serial remote device access protocol

### 10.6.8. 2-wire serial expander

The I2C\_EXPAND (register) setting determines whether data transmission is performed through or used as an I2C expander. When used as an I2C expander, the value set in GPIO\_OUT\_\*(...0~3) is output from the data pins. The setting of GPIO\_OBUF\_\*(...0~3) is valid for the output buffer setting. Also, regardless of the I2C\_EXPAND setting, data input is stored in GPIO\_IN\_\*(...0~3) and can be checked by I2C read. The above functions are available only when I2C is used (ENI2C0=1).

**Table 18 GPIO type setting**

Function	Register Name	Description
GPIO function select	I2C_EXPAND	0: Through(Default) 1: I2C Expander



**Figure 22 2-wire serial expander function**

### 10.7. Direction of GPIO

When DATA\_WIDTH (pin) = 0, the CML line data rate is 30 times the sampling clock rate.

When DATA\_WIDTH (pin) = 1, the CML line data rate is 50 times the sampling clock rate.

\*Primary chip and secondary chip DATAWIDTH should be set the same.

The flow from the primary chip transmitter output to the secondary chip receiver input is defined as downstream.

The flow from the secondary chip transmitter output to the primary chip receiver input is defined as upstream.

By setting OVERRIDE\_OEN (register) to 1, the GPIO direction can be freely set for each pin.

**Table 19 GPIO direction for each example**

Use case		A-1	A-2	B-1	B-2
Setting	DATA_WIDTH(pin)	0	0	1	1
	OVERRIDE_OE(register)	0	1	0	1
Mode	CML data rate	External reference clock mode 1/tCIPx30 Internal oscillator clock mode 1/tOSCx30		External reference clock mode 1/tCIPx50 Internal oscillator clock mode 1/tOSCx50	
Data pin of primary chip	D0/D31/SDA1(pin)	=>	=> <sup>*2</sup>	=>	<=> <sup>*1</sup>
	D1/D30/SCL1(pin)	=>	=> <sup>*2</sup>	=>	<=> <sup>*1</sup>
	D2/D29(pin)	=>	=> <sup>*2</sup>	=>	<=> <sup>*1</sup>
	D3/D28(pin)	=>	=> <sup>*2</sup>	=>	<=> <sup>*1</sup>
	D4/D27(pin)	=>	=> <sup>*2</sup>	=>	<=> <sup>*1</sup>
	D5/D26(pin)	=>	=> <sup>*2</sup>	=>	<=> <sup>*1</sup>
	D6/D25(pin)	=>	=> <sup>*2</sup>	=>	<=> <sup>*1</sup>
	D7/D24(pin)	=>	=> <sup>*2</sup>	=>	<=> <sup>*1</sup>
	D8/D23(pin)	=>	=> <sup>*2</sup>	=>	<=> <sup>*1</sup>
	D9/D22(pin)	=>	=> <sup>*2</sup>	=>	<=> <sup>*1</sup>
	D10/D21(pin)	=>	=> <sup>*2</sup>	=>	<=> <sup>*1</sup>
	D11/D20(pin)	=>	=> <sup>*2</sup>	=>	<=> <sup>*1</sup>
	D12/D19(pin)	=>	<=> <sup>*1</sup>	=>	<=> <sup>*1</sup>
	D13/D18(pin)	=>	<=> <sup>*1</sup>	=>	<=> <sup>*1</sup>
	D14/D17(pin)	=>	<=> <sup>*1</sup>	=>	<=> <sup>*1</sup>
	D15/D16(pin)	=>	<=> <sup>*1</sup>	=>	<=> <sup>*1</sup>
	D16/D15(pin)	<=>	<=> <sup>*1</sup>	=>	<=> <sup>*1</sup>
	D17/D14(pin)	<=>	<=> <sup>*1</sup>	=>	<=> <sup>*1</sup>
	D18/D13(pin)	<=>	<=> <sup>*1</sup>	=>	<=> <sup>*1</sup>
	D19/D12(pin)	<=>	<=> <sup>*1</sup>	=>	<=> <sup>*1</sup>
	D20/D11(pin)	<=>	<=> <sup>*2</sup>	=>	<=> <sup>*1</sup>
	D21/D10(pin)	<=>	<=> <sup>*2</sup>	=>	<=> <sup>*1</sup>
	D22/D9(pin)	<=>	<=> <sup>*2</sup>	=>	<=> <sup>*1</sup>
	D23/D8(pin)	<=>	<=> <sup>*2</sup>	=>	<=> <sup>*1</sup>
	D24/D7(pin)	<=>	<=> <sup>*2</sup>	=>	<=> <sup>*1</sup>
	D25/D6(pin)	<=>	<=> <sup>*2</sup>	=>	<=> <sup>*1</sup>
	D26/D5(pin)	<=>	<=> <sup>*2</sup>	=>	<=> <sup>*1</sup>
	D27/D4(pin)	<=>	<=> <sup>*2</sup>	<=>	<=> <sup>*1</sup>
	D28/D3(pin)	<=>	<=> <sup>*2</sup>	<=>	<=> <sup>*1</sup>
	D29/D2(pin)	<=>	<=> <sup>*2</sup>	<=>	<=> <sup>*1</sup>
	D30/D1(pin)	<=>	<=> <sup>*2</sup>	<=>	<=> <sup>*1</sup>
	D31/D0(pin)	<=>	<=> <sup>*2</sup>	<=>	<=> <sup>*1</sup>
					Data pin of secondary chip

"=>" is downstream (GPIO input to the primary chip is GPIO output from the secondary chip)

"<=>" is upstream (GPIO input to the secondary chip is GPIO output from the primary chip)

"<=>" is a pin whose directionality can be selected one by one by internal register setting.

\*1 The setting that contradicts the pin relationship between the primary chip and the secondary chip indicated by the pin name is not allowed.

\*2 In the case of Example A-2, "=>" and "<=>" other than "<=>" must also be set in the register as shown in the table.

The following table shows the mapping between pins and registers that can be set by setting OVERRIDE\_OEN (register) to 1.

**Table 20 GPIO OEN\_0-3(register) mapping**

Register Name	bit	Controlled terminal mapping		Description
		Primary chip mode	Secondary chip mode	
GPIO_OEN_0(register)	[0]	D0/D31/SDA1(pin)	D31/D0(pin)	GPIO direction select {0} : Output {1} : Input
	[1]	D1/D30/SCL1(pin)	D30/D1(pin)	
	[2]	D2/D29(pin)	D29/D2(pin)	
	[3]	D3/D28(pin)	D28/D3(pin)	
	[4]	D4/D27(pin)	D27/D4(pin)	
	[5]	D5/D26(pin)	D26/D5(pin)	
	[6]	D6/D25(pin)	D25/D6(pin)	
GPIO_OEN_1(register)	[7]	D7/D24(pin)	D24/D7(pin)	
	[0]	D8/D23(pin)	D23/D8(pin)	
	[1]	D9/D22(pin)	D22/D9(pin)	
	[2]	D10/D21(pin)	D21/D10(pin)	
	[3]	D11/D20(pin)	D20/D11(pin)	
	[4]	D12/D19(pin)	D19/D12(pin)	
	[5]	D13/D18(pin)	D18/D13(pin)	
GPIO_OEN_2(register)	[6]	D14/D17(pin)	D17/D14(pin)	
	[7]	D15/D16(pin)	D16/D15(pin)	
	[0]	D16/D15(pin)	D15/D16(pin)	
	[1]	D17/D14(pin)	D14/D17(pin)	
	[2]	D18/D13(pin)	D13/D18(pin)	
	[3]	D19/D12(pin)	D12/D19(pin)	
	[4]	D20/D11(pin)	D11/D20(pin)	
GPIO_OEN_3(register)	[5]	D21/D10(pin)	D10/D21(pin)	
	[6]	D22/D9(pin)	D9/D22(pin)	
	[7]	D23/D8(pin)	D8/D23(pin)	
	[0]	D24/D7(pin)	D7/D24(pin)	
	[1]	D25/D6(pin)	D6/D25(pin)	
	[2]	D26/D5(pin)	D5/D26(pin)	
	[3]	D27/D4(pin)	D4/D27(pin)	
GPIO_OEN_3(register)	[4]	D28/D3(pin)	D3/D28(pin)	
	[5]	D29/D2(pin)	D2/D29(pin)	
	[6]	D30/D1(pin)	D1/D30/SCL1(pin)	
	[7]	D31/D0(pin)	D0/D31/SDA1(pin)	

## 10.8. IO configuration

### 10.8.1. I/O digital noise filter

The THCS253 has digital noise filters for GPIO input (CMOS input noise immunity) and output (CML line noise immunity), and the digital noise filters can be set simultaneously by setting FILTSEL1 (pin) and FILTSEL0 (pin). Each GPIO digital noise filter can be individually enabled by setting GPIO\_I\_FILTEN\_0-3 (register) and GPIO\_O\_FILTEN\_0-3 (register) with OVERRIDE\_FILTEN (register)=1. The GPIO\_I\_FILTEN\_0-3(register) and GPIO\_O\_FILTEN\_0-3(register) settings enable each GPIO digital noise filter individually. The number of input/output filter tap can also be set by GPIO\_I\_FILTSET(register) and GPIO\_O\_FILTSET(register). The number of filter stages cannot be set for each pin individually. The data width of (tap\_num-1) tFLTCK or less is subject to filtering.

**Table 21 Input digital noise filter setting**

Setting				Function	Filter number of taps (tap_num)
OVERRIDE_I_FILTEN (register)	FILTSEL1 (pin)	FILTSEL0 (pin)	GPIO_I_FILTEN_0-3 (register)		
{0} (default)	0	0	-	Digital noise filter simultaneous setting	Disable
		1			4
	1	0			8
		1			16
{1}	-	-	{0}	digital noise filter disable (Table 23)	GPIO_I_FILTSET (register)Setting
			{1}	digital noise filter enable (Table 23)	

**Table 22 Output digital noise filter setting**

Setting				Function	Filter number of taps (tap_num)
OVERRIDE_O_FILTEN (register)	FILTSEL1 (pin)	FILTSEL0 (pin)	GPIO_O_FILTEN_0-3 (register)		
{0} (default)	0	0	-	Digital noise filter simultaneous Setting	Disable
		1			4
	1	0			8
		1			16
{1}	-	-	{0}	Digital noise filter disable (Table 23)	GPIO_O_FILTSET (register)
			{1}	Digital noise filter enable (Table 23)	

**Table 23 GPIO\_I\_FILTEN\_0-3(register) / GPIO\_O\_FILTEN\_0-3(register) mapping**

Register name	bit	Controlled terminal mapping		Description
		Primary chip mode	Secondary chip mode	
GPIO_I_FILTEN_0 (register) GPIO_O_FILTEN_0 (register)	[0]	D0/D31/SDA1(pin)	D31/D0(pin)	GPIO Input / output digital noise filter {0}:Disable {1}:Enable
	[1]	D1/D30/SCL1(pin)	D30/D1(pin)	
	[2]	D2/D29(pin)	D29/D2(pin)	
	[3]	D3/D28(pin)	D28/D3(pin)	
	[4]	D4/D27(pin)	D27/D4(pin)	
	[5]	D5/D26(pin)	D26/D5(pin)	
	[6]	D6/D25(pin)	D25/D6(pin)	
	[7]	D7/D24(pin)	D24/D7(pin)	
GPIO_I_FILTEN_1 (register) GPIO_O_FILTEN_1 (register)	[0]	D8/D23(pin)	D23/D8(pin)	
	[1]	D9/D22(pin)	D22/D9(pin)	
	[2]	D10/D21(pin)	D21/D10(pin)	
	[3]	D11/D20(pin)	D20/D11(pin)	
	[4]	D12/D19(pin)	D19/D12(pin)	
	[5]	D13/D18(pin)	D18/D13(pin)	
	[6]	D14/D17(pin)	D17/D14(pin)	
	[7]	D15/D16(pin)	D16/D15(pin)	
GPIO_I_FILTEN_2 (register) GPIO_O_FILTEN_2 (register)	[0]	D16/D15(pin)	D15/D16(pin)	
	[1]	D17/D14(pin)	D14/D17(pin)	
	[2]	D18/D13(pin)	D13/D18(pin)	
	[3]	D19/D12(pin)	D12/D19(pin)	
	[4]	D20/D11(pin)	D11/D20(pin)	
	[5]	D21/D10(pin)	D10/D21(pin)	
	[6]	D22/D9(pin)	D9/D22(pin)	
	[7]	D23/D8(pin)	D8/D23(pin)	
GPIO_I_FILTEN_3 (register) GPIO_O_FILTEN_3 (register)	[0]	D24/D7(pin)	D7/D24(pin)	
	[1]	D25/D6(pin)	D6/D25(pin)	
	[2]	D26/D5(pin)	D5/D26(pin)	
	[3]	D27/D4(pin)	D4/D27(pin)	
	[4]	D28/D3(pin)	D3/D28(pin)	
	[5]	D29/D2(pin)	D2/D29(pin)	
	[6]	D30/D1(pin)	D1/D30/SCL1(pin)	
	[7]	D31/D0(pin)	D0/D31/SDA1(pin)	

**Table 24 Filter tap Setting**

Register name	Description
GPIO_I_FILTSET(register)	Input digital noise filter setting Number of filter tap(tap_num) = GPIO_I_FILTSET+1
GPIO_O_FILTSET(register)	Output digital noise filter setting Number of filter tap (tap_num) = GPIO_I_FILTSET+1

**10.8.2. LVCMOS Output buffer type configuration**

The GPIO output buffer type can be selected between open-drain and push-pull. All output pins can be switched simultaneously by OBUF (pin), or each pin can be set by GPIO\_OBUF\_0-3 (register) via 2-wire serial interface.

**Table 25 Output buffer type configuration**

Setting			Function
ENI2C0 (pin)	OBUF (pin)	GPIO_OBUF_0-3 (register)	
0	0	-	All output pins can be switched to open-drain simultaneously
	1		All output pins can be switched to push-pull simultaneously
1	-	{0}	Set each GPIO output buffer type to open-drain
		{1}	Set each GPIO output buffer type to push-pull

**Table 26 GPIO\_OBUF\_0-3(register) mapping**

Register name	Bit	Controlled terminal mapping		Description
		Primary chip mode	Primary chip mode	
GPIO_OBUF_0(register)	[0]	D0/D31/SDA1(pin)	D31/D0(pin)	GPIO output buffer type select {0}:open-drain {1}:push-pull
	[1]	D1/D30/SCL1(pin)	D30/D1(pin)	
	[2]	D2/D29(pin)	D29/D2(pin)	
	[3]	D3/D28(pin)	D28/D3(pin)	
	[4]	D4/D27(pin)	D27/D4(pin)	
	[5]	D5/D26(pin)	D26/D5(pin)	
	[6]	D6/D25(pin)	D25/D6(pin)	
	[7]	D7/D24(pin)	D24/D7(pin)	
GPIO_OBUF_1(register)	[0]	D8/D23(pin)	D23/D8(pin)	
	[1]	D9/D22(pin)	D22/D9(pin)	
	[2]	D10/D21(pin)	D21/D10(pin)	
	[3]	D11/D20(pin)	D20/D11(pin)	
	[4]	D12/D19(pin)	D19/D12(pin)	
	[5]	D13/D18(pin)	D18/D13(pin)	
	[6]	D14/D17(pin)	D17/D14(pin)	
	[7]	D15/D16(pin)	D16/D15(pin)	
GPIO_OBUF_2(register)	[0]	D16/D15(pin)	D15/D16(pin)	
	[1]	D17/D14(pin)	D14/D17(pin)	
	[2]	D18/D13(pin)	D13/D18(pin)	
	[3]	D19/D12(pin)	D12/D19(pin)	
	[4]	D20/D11(pin)	D11/D20(pin)	
	[5]	D21/D10(pin)	D10/D21(pin)	
	[6]	D22/D9(pin)	D9/D22(pin)	
	[7]	D23/D8(pin)	D8/D23(pin)	
GPIO_OBUF_3(register)	[0]	D24/D7(pin)	D7/D24(pin)	
	[1]	D25/D6(pin)	D6/D25(pin)	
	[2]	D26/D5(pin)	D5/D26(pin)	
	[3]	D27/D4(pin)	D4/D27(pin)	
	[4]	D28/D3(pin)	D3/D28(pin)	
	[5]	D29/D2(pin)	D2/D29(pin)	
	[6]	D30/D1(pin)	D1/D30/SCL1(pin)	
	[7]	D31/D3(pin)	D0/D31/SDA1(pin)	



### 10.8.3. 5V tolerant IO

Primary chip and Secondary chip are each equipped with 8 5V withstand voltage IOs.

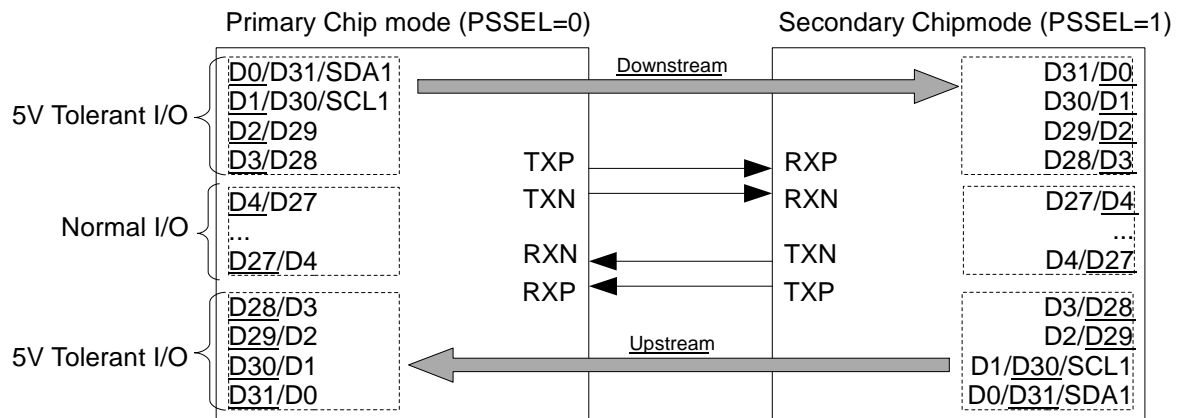


Figure 23 5V tolerant IO

### 10.8.4. LVCMOS Output drive strength setting

The THCS253 can set the output drive strength of REFOUT, D0 (pin) - D31 (pin), and READY pin with the TTLDRV (register). High drive setting is recommended when the reference clock frequency is 100 MHz or higher.

Table 27 LVCMOS output drive strength setting

Setting	Description
TTLDRV(register)	
{0}	Normal(default)
{1}	High

### 10.8.5. CML output swing voltage and pre-emphasis setting

The CML output driver pre-emphasis compensates for the loss of high-frequency signal due to long-distance or high-speed transmission. The CML output swing voltage and pre-emphasis can be set by setting CMLDRV (register) and CMLPRE (register).

Table 28 CML differential output and Pre-emphasis settings

Setting		CML differential output peak to peak	Pre-emphasis	Description
CMLDRV [1:0] (register)	CMLPRE (register)			
{00}	{0}	400mVpp	0dB (0%)	-
	{1}	400mVpp	6dB (100%)	-
{01}	{0}	600mVpp	0dB (0%)	Default
	{1}	600mVpp	3.52dB (50%)	-
{10}	{0}	800mVpp	0dB (0%)	-
	{1}	800mVpp	0dB (0%)	-
{11}	{0}	Prohibition		-
	{1}	Prohibition		-

**10.9. Clock configuration**

**10.9.1. Sampling clock select**

Primary chip selects either external reference clock sampling or internal oscillator clock sampling with REFEN (pin).

Secondary chip uses SYNCEN (pin) to select whether to operate synchronously with the primary chip clock or asynchronously with the primary chip. If SYNCEN = 0 for asynchronous operation, REFEN (pin) is used to select external reference clock sampling or internal oscillator clock sampling.

When an external reference clock is used, the data sampling clock edge can be selected with RF\_IN/OSCSEL0 (pin). Similarly, the data output clock edge is selected by RF\_OUT/OSCSEL1 (pin). When internal oscillator clock sampling is selected by REFEN (pin) = 0, the internal oscillator clock frequency can be selected by RF\_OUT/OSCSEL1 (pin) and RF\_IN/OSCSEL0 (pin).

**Table 29 Sampling Clock and RF\_OUT/OSCSEL1, RF\_IN/OSCSEL0 Function**

PSSEL (pin)	SYNCEN (pin)	REFEN (pin)	REFIN (pin)	RF_OUT/OSCSEL1 (pin)	RF_IN/OSCSEL0 (pin)	Description
0	Invalid	0	-	Int. OSC clock sampling frequency setting (OSCSEL1, OSCSEL0)		Sampling with internal oscillator clock Frequency set by OSCSEL1 and OSCSEL0 (pin)
	Invalid	1	Ext. reference clock	Output data clock edge setting RF_OUT	Output data clock edge setting RF_IN	Sampling with external reference clock
1	0	0	-	Int. OSC clock sampling frequency setting (OSCSEL1, OSCSEL0)		Sampling with internal oscillator clock Frequency set by OSCSEL1 and OSCSEL0 (pin)
		1	Ext. reference clock	Output data clock edge setting RF_OUT	Output data clock edge setting RF_IN	Sampling with external reference clock
	1	Invalid	-	Invalid		Sampling with CDR clock
		Invalid	-	Invalid	Invalid	Sampling with CDR clock

**Table 30 OSC Clock Sampling Frequency and External Clock Input frequency**

REFEN (pin)	RF_OUT/OSCSEL1 (pin)	RF_IN/OSCSEL0 (pin)	DATA_WIDTH (pin)	OSC. frequency / Input frequency	CML data rate
0	0	0	0	20MHz±20%	480Mbps - 720Mbps
			1		800Mbps - 1200Mbps
	0	1	0	40MHz±20%	960Mbps - 1440Mbps
			1		1600Mbps - 2400Mbps
	1	0	0	80MHz±20%	960Mbps - 1440Mbps
			1		1600Mbps - 2400Mbps
	1	1	0	80MHz±20%	1920Mbps - 2880Mbps
			1		Prohibition
1	-	-	0	15 - 133.3MHz	0.45 - 4.0Gbps
	-	-	1	9 - 80MHz	0.45 - 4.0Gbps

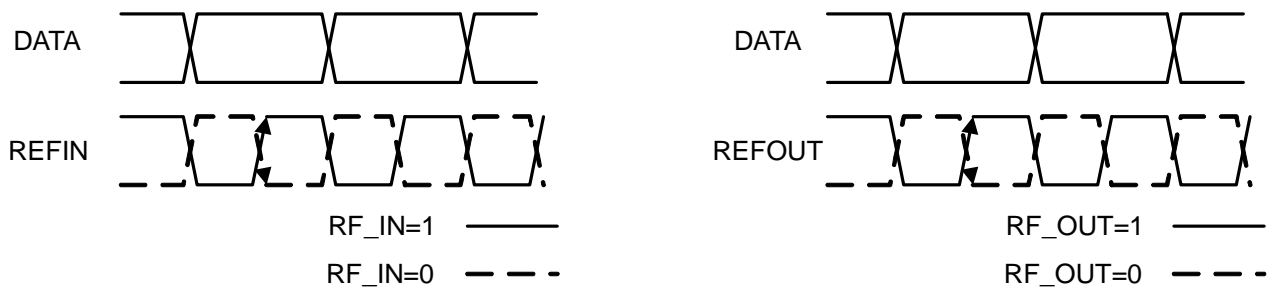
**10.9.2. Clock edge select (RF\_IN, RF\_OUT)**

When REFEN=1 (external reference clock is used), clock edge switching function is Enable.

The RF\_IN/OSCSEL0 pin can be used to set the input data sampling edge when an external reference clock is used, and the RF\_OUT/OSCSEL1 pin can be used to set the REFOUT output clock edge. The polarity of RF\_IN and RF\_OUT is the clock edge that defines Setup/Hold timing.

**Table 31 RF Function**

Pin name	Description
RF_IN	0 : Fall Edge (Default)
RF_OUT	1 : Rise Edge



**Figure 24 RF\_IN, RF\_OUT Function**

### 10.10. Spread spectrum clock generator and REFIN(pin) frequency

THCS253 enables spread spectrum clock output by enabling SSCG PLL with SSEN (pin). When 2-wire serial interface is enabled (ENI2C=1), the modulation frequency and modulation rate of the spread spectrum clock can be set.

When SYNCEN (pin) = 1, the spread spectrum clock is set only on the transmitter clock side of the primary chip. When SYNCEN (pin) = 0, it can be multiplied to both primary and secondary chips.

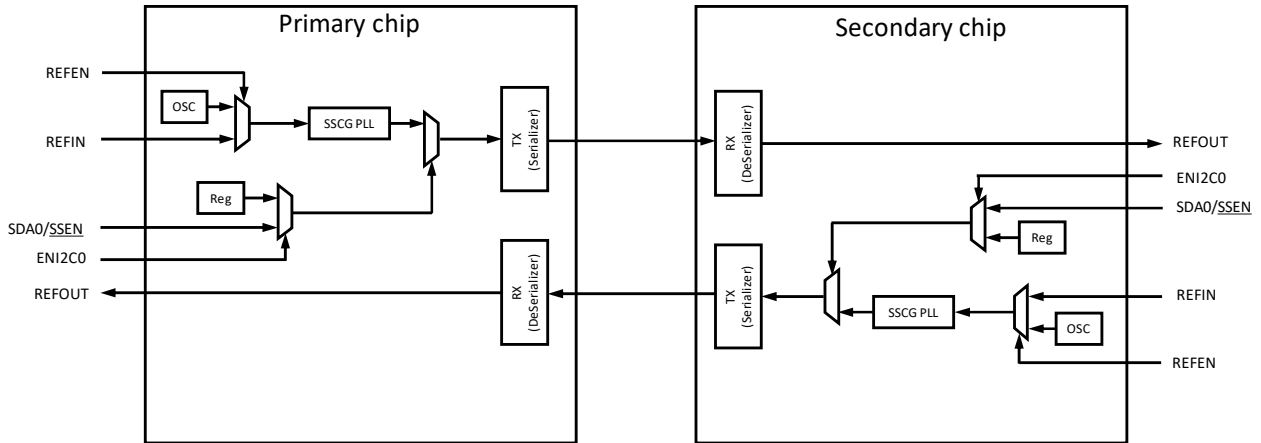


Figure 25 Spread Spectrum Configuration

Table 32 Spread Spectrum Setting

Register name	Description
SPREAD[4:0] (register)	Modulation rate setting Modulation rate = SPREAD
FMOD[3:0] (register)	Modulation frequency setting

The modulation frequency of the spread spectrum clock is determined by the following formula.

$$f_{\text{mod}} = \frac{f_{\text{ref}}}{512 \times FMOD}$$

### 10.11. PWM signal output function

The THCS253 can output PWM signals from the D2/D29/PWMOUT pins.

Access the PWMH [7:0] and PWML [7:0] registers via the 2-wire serial interface to set the L/H period in 256 steps, and enable PWMOUT with the PWMEN register.

$$\text{PWM High period} = 1/(80\text{MHz}\pm 20\%) \times \text{PWMH}(0\sim 255)[\text{ns}]$$

$$\text{PWM Low period} = 1/(80\text{MHz}\pm 20\%) \times \text{PWML}(0\sim 255)[\text{ns}]$$

Except,

When PWML = 0x00 and PWMH = 0x00, D2/D29/PWMOUT pin is fixed low.

When PWML = 0x00 and PWMH = 0x01, D2/D29/PWMOUT pin is fixed high.

### 10.12. CRC

THCS253 adds CRC data (CRC8) to GPIO signals and during 2-wire serial communication to avoid outputting abnormal data when bit errors occur. The CRC is inserted once every 4 sampling clocks when DATAWIDTH=1 and once every 6 sampling clocks when DATAWIDTH=0. The CRC data insertion is shown in the figure below.

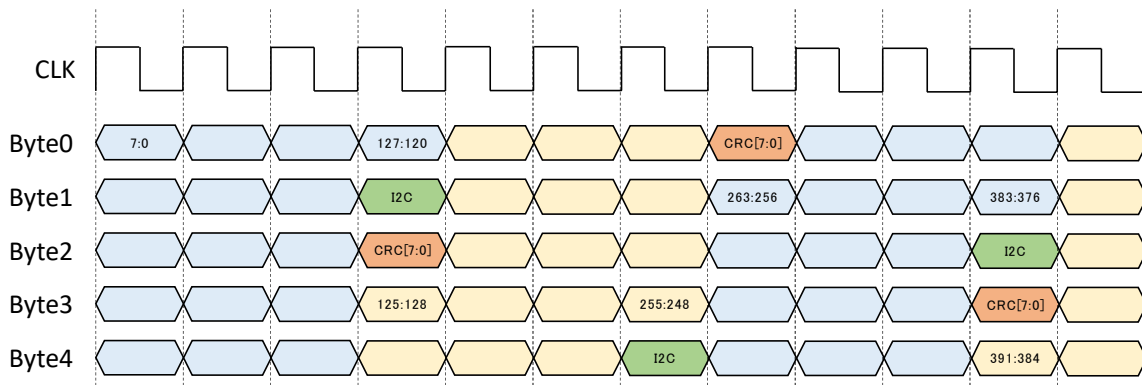


Figure 26 CRC data when DATAWIDTH=1

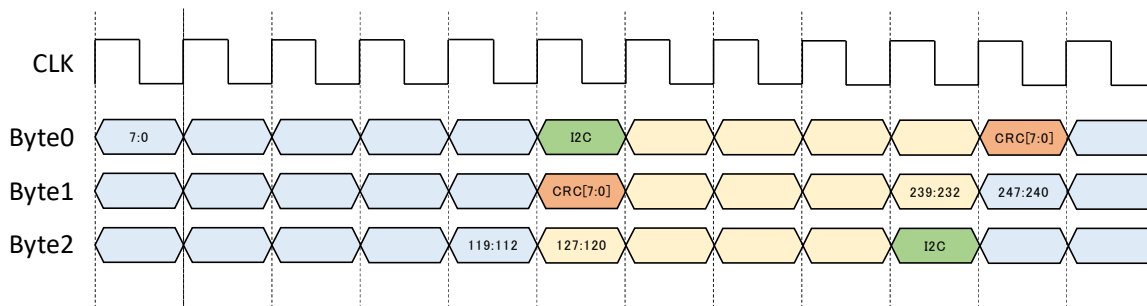


Figure 27 CRC data when DATAWIDTH=0

## 10.13. Error detection and notification

### 10.13.1. READY signal

The THCS253 notifies with READY(pin) when the link between the Primary chip and the Secondary chip is established and data transmission and I2C transmission are possible. When the transmitter's PLL, receiver's CDR, and SSCG PLL (when the spread spectrum clock is enabled) are locked and normal pattern transmission is enabled, READY(pin)=H is displayed.

When there is no link error such as clock error or off-lock, the READY signal is output high, and data error is notified from INTN (pin). When a link error is detected, READY (pin) goes low and enters the re-link-up sequence.

During the READY(pin)=L period, data transmission, 2-wire serial communication across devices (access to internal registers of the chip set to the 2-wire serial interface controller with CTSEL\_I2C=1, access to remote device registers) is prohibited. Access to the internal registers of the chip set to the 2-wire serial interface target (CTSEL\_I2C=0) is possible. Notification from READY (pin) is possible for both Primary chip and Secondary chip.

**Table 33 Operation of READY(pin)**

READY (pin)	Description
L	Link not established. Data transmit and receive is inhibited. I2C access to chips other than the chip set to CTSEL_I2C=0 is prohibited.
H	Link established. Data transmit and receive, I2C access available.

### 10.13.2. INTN signal

When the THCS253 detects errors in the CRC error check result on the CML line, it signals these as interrupt causes through INTN (pin). INTN signal is a low active open drain output.

When the 2-wire serial interface is enabled and the interrupt register is enabled, the INTN (pin) transitions from INTN (high) to low when an error that causes an interrupt occurs, and INTN (pin) = low is maintained until the interrupt status register is cleared.

When the 2-wire serial interface is disabled, INTN (pin) = L when any interrupt factor occurs. INTN (pin) = L is output until the data error is cleared, and returns to INTN (pin) = H (pull-up) when the data error is cleared. At this time, the GPIO output signal updates the output data only when INTN (pin) = High, and holds the output before the error occurs when INTN (pin) = Low.

The THCS253 detects CRC signals inserted in communication packets and notifies the user via INTN (pin). There are two types of CRC signals: one is embedded in the downstream/upstream GPIO error detection byte and the other is embedded in the 2-wire serial transmit/receive error detection byte. Normally, the CRC for 2-wire serial transmission and reception is an invalid signal when 2-wire serial communication is not being used. However, if noise is mixed in during transmission and the CRC data is corrupted, as it is during communication, a 2-wire serial communication CRC error may occur even if 2-wire serial communication is not being used.

**10.14. Standby mode: STANDBY(register)=1**

Standby mode is an operation mode that enables data transmission at low sampling rate and low power consumption. The transition from normal mode to standby mode and from standby mode to normal mode is initiated by STANDBY (register) access via 2-wire serial. STANDBY(register) exists only on the 2-wire serial target side with CTSEL\_I2C=0. In standby mode, handshake communication is performed between the primary chip and secondary chip. Operation can be selected between sampling and data transmission (polling) at intervals set by STBY\_CYCLE (register) and data transmission by detecting changes in the pins for standby mode or I2C input. A maximum of eight GPIO signals can be used for data transmission. The number and direction of the number of signals used are set by the STBY\_NUM\_DS (register) and STBY\_NUM\_US (register) of the primary chip. The number of pins in the downstream direction is set by STBY\_NUM\_DS (register) and the number of pins in the upstream direction by STBY\_NUM\_US (register). Upon entry into standby mode, if the link was established in normal mode, the READY signal goes low once, and when handshake communication is established, the READY signal goes high again to enable signal transmission. The interrupt status register (transmission error generation interrupt, I2C interrupt, etc.) and INT are cleared during normal operation. If the opposing device exits from standby mode or power down after the READY signal goes high, the primary chip side detects no response from the secondary chip and the secondary chip side detects a timeout in the request interval from the primary chip and sets the READY signal low. The primary chip issues the first request command 1.5 ms (typ) after entering standby mode. The sampling interval for polling operation can be changed by setting the STBY\_CYCLE register on the primary chip side. No setting is required on the secondary chip side.

**Table 34 Standby Mode Operation Select**

STANDBY (register)	STBY_MODE (register)	Description
0	Ignore	Normal operation
1	0 (default)	Only polling operation
	1	Polling and external trigger operation

**Table 35 STBY\_NUM\_DS, STBY\_NUM\_US vs Standby mode data pin state example**

STBY_NUM_DS (register)	0	1	1	1	1	1	0	4	4	4	4	4	8	8	8		
STBY_NUM_US (register)	0	0	1	2	7	8	8	0	1	2	7	8	0	1	8		
D0/D31/SDA1	Down	Down	Down	Down	Down	Down	Up	Down	Down	Down	Down	Down	Down	Down	Down		
D1/D30/SCL1	Normal terminal handling	Normal terminal handling	Normal terminal handling	Normal terminal handling	Up	Up	Up	Down	Down	Down	Down	Down	Down	Down	Down		
D2/D29					Up	Up	Up	Down	Down	Down	Down	Down	Down	Down	Down		
D3/D28					Up	Up	Up	Down	Down	Down	Down	Down	Down	Down	Down		
D28/D3					Up	Up	Up	Normal terminal handling	Normal terminal handling	Normal terminal handling	Up	Up	Down	Down	Down	Down	
D29/D2					Up	Up	Up				Up	Up	Down	Down	Down	Down	
D30/D1					Up	Up	Up	Up	Normal terminal handling	Normal terminal handling	Normal terminal handling	Up	Up	Up	Down	Down	Down
D31/D0					Up	Up	Up	Up				Up	Up	Up	Up	Down	Down

**Table 36 Output of normal data pin in standby mode**

STBY_DOUT (register)	Description
0	Hi-Z(Default)
1	Holds status before standby mode entry

**Table 37 Standby Mode Sampling Rate Setting (Primary chip only)**

Register name	Description
STBY_CYCLE (register)	000 : 50ms 001 : 100ms(Default) 010 : 150ms 011 : 200ms 100 : 250ms 101 : 300ms 110 : 350ms 111 : 400ms Values are Typical values. Guaranteed value is $\pm 20\%$ of the above value due to OSC variation.

**Table 38 Registers that need to be set in standby mode**

Register Name	Primary chip	Secondary chip
STBY_DRV	As required	As required
STBY_NUM_DS	Required	Not Required
STBY_NUM_US	Required	Not Required
STBY_CYCLE	Required	Not Required
STBY_DOUT	As required	As required
STBY_MODE	As required	Prohibition
STANBY	Required	Required



## 11. Register map

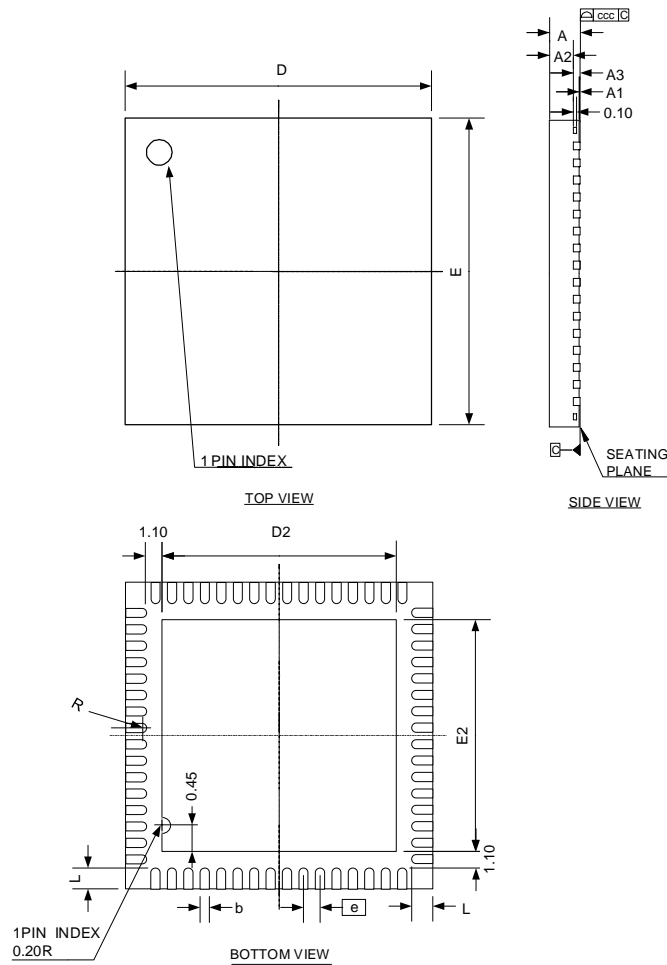
Target address (Hex)	Controller address (Hex)	Bit #	R/W	Default (Hex)	Register name	Description
0x00	0x80	3	R	-	STBY_READY	READY signal status in standby mode 0: READY=L or Normal mode 1: READY=H
		2	R	-	LINK_READY	READY signal status in normal mode 0: READY=L or standby mode 1: READY=H
		0	R	-	INT	INT status (INTN(pin) inversion) 0: No error 1: Error occurred
0x01	-	2	R/W	0	I2C_CRC	0: No error 1: 2-wire serial com error occurred WRITE 1: Error clear
		1	R/W	0	US_CRC	0: No error 1: Upstream error occurred WRITE 1: Error clear
		0	R/W	0	DS_CRC	0: No error 1: Downstream error occurred WRITE 1: Error clear
0x02	-	2	R/W	0	I2C_CRC_EN	0: 2-wire serial come error interrupt enable 1: 2-wire serial come error interrupt disable
		1	R/W	0	US_CRC_EN	0: Upstream error interrupt enable 1: Upstream error interrupt disable
		0	R/W	0	DS_CRC_EN	0: Downstream error interrupt enable 1: Downstream error interrupt disable
0x03	0x83	0	R/W	0	ENI2C1	2-wire serial interface SDA1/SCL1 0: Disable 1: Enable
0x04	0x84	0	R/W	0	I2C_EXPAND	I/O Expander mode 0: Disable (GPIO transceiver mode) 1: Enable
0x05	0x85	7:0	R	0x00	GPIO_IN_0	GPIO[7:0] input status monitor
0x06	0x86	7:0	R	0x00	GPIO_IN_1	GPIO[15:8]input status monitor
0x07	0x87	7:0	R	0x00	GPIO_IN_2	GPIO[23:16]input status monitor
0x08	0x88	7:0	R	0x00	GPIO_IN_3	GPIO[31:24]input status monitor
0x09	0x89	7:0	R/W	0x00	GPIO_OUT_0	GPIO[7:0] output setting (Applicable only to I/O expansion mode)
0x0A	0x8A	7:0	R/W	0x00	GPIO_OUT_1	GPIO[15:8] output setting (Applicable only to I/O expansion mode)
0x0B	0x8B	7:0	R/W	0x00	GPIO_OUT_2	GPIO[23:16] output setting (Applicable only to I/O expansion mode)
0x0C	0x8C	7:0	R/W	0x00	GPIO_OUT_3	GPIO[31:24] output setting (Applicable only to I/O expansion mode)
0x0D	0x8D	7:0	R/W	0xFF	GPIO_OEN_0	GPIO [7:0] direction select 0:output 1:input
0x0E	0x8E	7:0	R/W	0xFF	GPIO_OEN_1	GPIO [15:8] direction select 0:output 1:input
0x0F	0x8F	7:0	R/W	0xFF	GPIO_OEN_2	GPIO [23:16] direction select 0:output 1:input
0x10	0x90	7:0	R/W	0xFF	GPIO_OEN_3	GPIO [31:24] direction select 0:output 1:input
0x11	0x91	0	R/W	0	OVERRIDE_OEN	GPIO_OEN setting method select 0: Input/output default values per use case 1: Register setting GPIO_OEN_0-3
0x12	0x92	7:0	R/W	0xFF	GPIO_OBUF_0	GPIO [7:0] Output buffer type select 0:Open Drain 1:Pushpull
0x13	0x93	7:0	R/W	0xFF	GPIO_OBUF_1	GPIO [15:8] Output buffer type select0:Open Drain 1:Pushpull
0x14	0x94	7:0	R/W	0xFF	GPIO_OBUF_2	GPIO [23:16] Output buffer type select0:Open Drain 1:Pushpull
0x15	0x95	7:0	R/W	0xFF	GPIO_OBUF_3	GPIO [31:24] Output buffer type select0:Open Drain 1:Pushpull
0x16	0x96	7:0	R/W	0x00	Reserved	Must be 0
0x17	0x97	7:0	R/W	0xFF	GPIO_I_FILTEN_0	GPIO [7:0] input digital noise filter 0:Disable 1:Enable

0x18	0x98	7:0	R/W	0xFF	GPIO_I_FILTEN_1	GPIO [15:8] input digital noise filter 0:Disable 1:Enable
0x19	0x99	7:0	R/W	0xFF	GPIO_I_FILTEN_2	GPIO [23:16] input digital noise filter 0:Disable 1:Enable
0x1A	0x9A	7:0	R/W	0xFF	GPIO_I_FILTEN_3	GPIO[31:24] input digital noise filter 0:Disable 1:Enable
0x1B	0x9B	7:0	R/W	0x03	GPIO_I_FILTSET	Input digital noise filter setting Number of filter tap = GPIO_I_FILTSET+1
0x1C	0x9C	0	R/W	0	OVERRIDE_I_FILTEN	Input digital noise filter enable setting method 0: FILTSEL1(pin) and FILTSEL0(pin) 1: GPIO_I_FILTEN_0-3(register)
0x1D	0x9D	7:0	R/W	0xFF	GPIO_O_FILTEN_0	GPIO[7:0] output digital noise filter 0:Disable 1:Enable
0x1E	0x9E	7:0	R/W	0xFF	GPIO_O_FILTEN_1	GPIO[15:8] output digital noise filter 0:Disable 1:Enable
0x1F	0x9F	7:0	R/W	0xFF	GPIO_O_FILTEN_2	GPIO[23:16] output digital noise filter 0:Disable 1:Enable
0x20	0xA0	7:0	R/W	0xFF	GPIO_O_FILTEN_3	GPIO[31:24] output digital noise filter 0:Disable 1:Enable
0x21	0xA1	7:0	R/W	0x03	GPIO_O_FILTSET	Output digital noise filter setting Number of filter tap = GPIO_O_FILTSET+1
0x22	0xA2	0	R/W	0	OVERRIDE_O_FLTEN	Output digital noise filter enable setting method 0: FILTSEL1(pin) and FILTSEL0(pin) 1: GPIO_I_FILTEN_0-3(register)
0x23	0xA3	7:0	R	0x00	CRC_ERROR_COUNT[15:8]	Number of CRC error (MSB 8bit)
0x24	0xA4	7:0	R	0x00	CRC_ERROR_COUNT[7:0]	Number of CRC error (LSB 8bit)
0x25	0xA5	0	W	-	CRC_ERROR_COUNT_CLEAR	1 Write : CRC ERROR COUNT[15:0] clear
0x26	0xA6	7:0	R/W	0x64	I2CPERIOD0	I2C0 Controller Bit Rate 10,000/I2CPERIOD0 kbps
0x27	0xA7	7:0	R/W	0x64	I2CPERIOD1	I2C1 Controller Bit Rate 10,000/I2CPERIOD0 kbps

0x28	0xA8	7:4	R/W	0x6	I2C_WDT_STBY	2-wire serial controller / target watch dog timer (Standby) 0 : Watch dog timer disable 1: 50ms 2: 151ms 3: 352ms 4: 755ms 5: 1.56s 6: 3.17s 7: 6.39s 8: 12.8s 9: 25.7s 10: 51.5s 11: 103s 12: 206s 13: 412s 14: 825s 15 : 1650s																														
		3:0	R/W	0xF	I2C_WDT	2-wire serial controller / target watch dog timer (Normal operation) Setting value of controller >= Setting value of target 0: Watch dog timer disable <table border="1"> <thead> <tr> <th>Controller</th> <th>Target</th> </tr> </thead> <tbody> <tr><td>1: 0.0123ms</td><td>0.0246ms</td></tr> <tr><td>2: 0.0369ms</td><td>0.0738ms</td></tr> <tr><td>3: 0.0860ms</td><td>0.172ms</td></tr> <tr><td>4: 0.184ms</td><td>0.368ms</td></tr> <tr><td>5: 0.381ms</td><td>0.762ms</td></tr> <tr><td>6: 0.774ms</td><td>1.55ms</td></tr> <tr><td>7: 1.56ms</td><td>3.12ms</td></tr> <tr><td>8: 3.13ms</td><td>6.26ms</td></tr> <tr><td>9: 6.28ms</td><td>12.6ms</td></tr> <tr><td>10: 12.6ms</td><td>25.2ms</td></tr> <tr><td>11: 25.2ms</td><td>50.4ms</td></tr> <tr><td>12: 50.3ms</td><td>101ms</td></tr> <tr><td>13: 101ms</td><td>202ms</td></tr> <tr><td>14: 201ms</td><td>402ms</td></tr> <tr><td>15: 403ms</td><td>806ms</td></tr> </tbody> </table>	Controller	Target	1: 0.0123ms	0.0246ms	2: 0.0369ms	0.0738ms	3: 0.0860ms	0.172ms	4: 0.184ms	0.368ms	5: 0.381ms	0.762ms	6: 0.774ms	1.55ms	7: 1.56ms	3.12ms	8: 3.13ms	6.26ms	9: 6.28ms	12.6ms	10: 12.6ms	25.2ms	11: 25.2ms	50.4ms	12: 50.3ms	101ms	13: 101ms	202ms	14: 201ms	402ms
Controller	Target																																			
1: 0.0123ms	0.0246ms																																			
2: 0.0369ms	0.0738ms																																			
3: 0.0860ms	0.172ms																																			
4: 0.184ms	0.368ms																																			
5: 0.381ms	0.762ms																																			
6: 0.774ms	1.55ms																																			
7: 1.56ms	3.12ms																																			
8: 3.13ms	6.26ms																																			
9: 6.28ms	12.6ms																																			
10: 12.6ms	25.2ms																																			
11: 25.2ms	50.4ms																																			
12: 50.3ms	101ms																																			
13: 101ms	202ms																																			
14: 201ms	402ms																																			
15: 403ms	806ms																																			
0x29	0xA9	4	R/W	0	STBY_DRV	Standby mode CML differential output voltage setting 0: 200mV 1: 300mV																														
		3	R/W	0	CMLPRE	Normal mode CML differential Pre-emphasis setting 0:0dB (default) 1: Depends on the CMLDRV																														
		2:1	R/W	0x1	CMLDRV	Normal mode CML differential output voltage setting 0x0: 200mV 0x1: 300mV 0x2: 400mV 0x3: Prohibition																														
		0	R/W	0	TTLDRV	LVC MOS output drive strength setting 0: Normal 1: High																														
0x2A	0xAA	0	R/W	0	Reserved	Must be 0																														
0x2B	0xAB	4:0	R/W	0x05	SPREAD	SSCG modulation rate setting Modulation rate = SPREAD * ±0.1% Maximum ±0.5%																														
0x2C	0xAC	2:0	R/W	0x6	FMOD	SSCG modulation frequency(fmod)Setting Maximum 30kHz $f_{mod} = \frac{f_{ref}}{512 \times FMOD}$																														
0x2D	0xAD	1	R/W	0	Reserved	Must be 0																														
		0	R/W	0	Reserved	Must be 0																														

0x2E	0xAE	7:0	R/W	0x00	PWMH	PWMH period 0x00: When PWML=0x00, L fixed 0x01: H period 1 clock, (When PWML=0x00, H fixed) ~ 0xFF: H period 255 clock
0x2F	0xAF	7:0	R/W	0x00	PWML	PWML period 0x00: When PWML=0x00, L fixed, When PWMH=0x01, H fixed. 0x01: H period 1 clock, ~ 0xFF: H period 255 clock
0x30	0xB0	0	R/W	0	PWM_EN	PWM output enable
0x31	0xB1	7:4	R/W	0x4	STBY_NUM_DS	Number of Standby mode downstream GPIO setting: Maximum 0x8 (0x9-0xF is considered 0x8) *Set primary chip only
		3:0	R/W	0x4	STBY_NUM_US	Number of Standby mode upstream GPIO setting: Maximum 0x8 (0x9-0xF is considered 0x8) *Set primary chip only
0x32	0xB2	2:0	R/W	0x1	STBY_CYCLE	Standby mode polling period setting *Set primary chip only 0x0: 50ms 0x1: 100ms 0x2: 150ms 0x3: 200ms 0x4: 250ms 0x5: 300ms 0x6: 350ms 0x7: 400ms
0x33	0xB3	0	R/W	0	STBY_DOUT	Standby mode static GPIO output status *Set by primary chip/secondary chip respectively 0: Hi-Z (default) 1: Holds status before standby mode entry
0x34	0xB4	0	R/W	0	STBY_MODE	Standby mode hand shake com start condition 0: Polling operation 1: Polling operation and external trigger
0x35	0xB5	0	R/W	0	STANDBY	0: Normal operation 1: Standby
0x36	0xB6	0	R/W	0	Reserved	Must be 0
0x37	0xB7	7:4	R	0	Reserved	Must be 0
		3:0	R	0	Reserved	Must be 0
0x38	0xB8	7:0	R/W	0x0F	Reserved	0x0F fixed
0x39	0xB9	7:0	R/W	0x1F	Reserved	0x1F fixed
0x3A	0xBA	3:0	R/W	0x4	Reserved	0x4 fixed
0x3B	0xBB	7:0	R	0	Reserved	Must be 0
0x3C	0xBC	4:0	R	0	Reserved	Must be 0
0x3D	0xBD	7:0	R/W	0x00	Reserved	Must be 0

## 12. Package

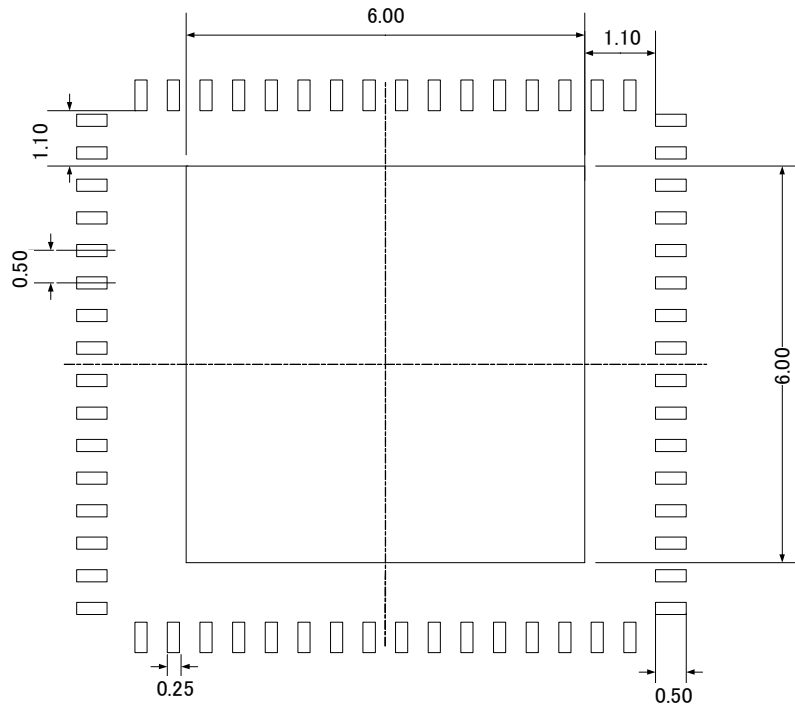


Unit mm

Symbol	Items	Min.	Nom.	Max.
A	Mounting Height	-	-	0.90
A1	Standoff	-	-	0.05
A2	-	-	0.65	0.70
A3	-	(0.20)		
b	Terminal Width	0.18	0.25	0.30
D	Body Length	9.00 BSC		
D2	Exposed Length	5.90	6.00	6.10
E	Body Width	9.00 BSC		
E2	Exposed Width	5.90	6.00	6.10
L	-	0.35	0.40	0.45
e	Pitch	0.50 BSC		
R	-	0.09	-	-
ccc	Coplanarity	0.05		

Figure 28 64-pin QFN package physical dimension

### 13. Reference land pattern



**(Note)**

Please carefully consider your SMT conditions (Material of substrate, Solder Composition, Reflow Condition and so on), and adjust the Land Pattern at your own risk.

If there is any inconsistency or conflict between the English and Japanese versions, the English version shall prevail.

## 14. Notices and Requests

1. The product specifications described in this material are subject to change without prior notice.
2. The circuit diagrams described in this material are examples of the application which may not always apply to the customer's design. THine Electronics, Inc. ("THine") is not responsible for possible errors and omissions in this material. Please note even if errors or omissions should be found in this material, THine may not be able to correct them immediately.
3. This material contains THine's copyright, know-how or other intellectual property rights. Copying, reverse-engineer or disclosing to third parties the contents of this material without THine's prior written permission is prohibited.
4. THINE ACCEPTS NO LIABILITY FOR ANY DAMAGE OR LOSS IN CONNECTION WITH ANY DISPUTE RELATING TO INTELLECTUAL PROPERTY RIGHTS BETWEEN THE USER AND ANY THIRD PARTY, ARISING OUT OF THIS PRODUCT, EXCEPT FOR SUCH DAMAGE OR LOSS IN CONNECTION WITH DISPUTES SUCCESSFULLY PROVED BY THE USER THAT SUCH DISPUTES ARE DUE SOLELY TO THINE. NOTE, HOWEVER, EVEN IN THE AFOREMENTIONED CASE, THINE ACCEPTS NO LIABILITY FOR SUCH DAMAGE OR LOSS IF THE DISPUTE IS CAUSED BY THE USER'S INSTRUCTION.
5. This product is not designed for applications that require extremely high-reliability/safety such as aerospace device, nuclear power control device, or medical device related to critical care, excluding when this product is specified for automotive use by THine and used it for that purpose. THine accepts no liability whatsoever for any damages, claims or losses arising out of the uses set forth above.
6. Despite our utmost efforts to improve the quality and reliability of the product, faults will occur with a certain small probability, which is inevitable to a semi-conductor product. Therefore, you are encouraged to have sufficiently fail-safe design principles such as redundant or error preventive design applied to the use of the product so as not to have our product cause any social or public damage.
7. This product may be permanently damaged and suffer from performance degradation or loss of mechanical functionality if subjected to electrostatic charge exceeding capacity of the ESD (Electrostatic Discharge) protection circuitry. Safety earth ground must be provided to anything in contact with the product, including any operator, floor, tester and soldering iron.
8. Please note that this product is not designed to be radiation-proof.
9. Testing and other quality control techniques are used to this product to the extent THine deems necessary to support warranty for performance of this product. Except where mandated by applicable law or deemed necessary by THine based on the user's request, testing of all functions and performance of the product is not necessarily performed.
10. This product must be stored according to storage method which is specified in this specifications. THine accepts no liability whatsoever for any damage or loss caused to the user due to any storage not according to above-mentioned method.
11. Customers are asked, if required, to judge by themselves if this product falls under the category of strategic goods under the Foreign Exchange and Foreign Trade Act in Japan and the Export Administration Regulations in the United States of America on export or transit of this product. This product is prohibited for the purpose of developing military modernization, including the development of weapons of mass destruction (WMD), and the purpose of violating human rights.
12. The product or peripheral parts may be damaged by a surge in voltage over the absolute maximum ratings or malfunction, if pins of the product are shorted by such as foreign substance. The damages may cause a smoking and ignition. Therefore, you are encouraged to implement safety measures by adding protection devices, such as fuses. THine accepts no liability whatsoever for any damage or loss caused to the user due to use under a condition exceeding the limiting values.
13. All patents or pending patent applications, trademarks, copyrights, layout-design exploitation rights or other intellectual property rights concerned with this product belong to THine or licensor(s) of THine. No license or right is granted to the user for any intellectual property right or other proprietary right now or in the future owned by THine or THine's licensor. The user must enter into a license agreement with THine or THine's licensor to be granted of such license or right.

***THine Electronics, Inc.***

<https://www.thine.co.jp>