

THC63LVDF84B

24bit COLOR LVDS RECEIVER (Falling Edge Clock)

General Description

The THC63LVDF84B receiver supports wide VCC range as 2.5 to 3.6V. At single 2.5V supply, the THC63LVDF84B reduces EMI and power consumption.

The THC63LVDF84B converts the four LVDS data streams back into 24bits of LVC MOS data with falling edge clock. At a transmit clock frequency of 85MHz, 24bits of RGB data and 4bits of timing and control data (HSYNC, VSYNC, DE, CNTL1, CNTL2) are transmitted at an effective rate of 2.38Gbps.

Application

- Medium and Small Size Panel
- Tablet PC / Notebook PC
- Security Camera / Industrial Camera
- Multi Function Printer
- Industrial Equipment
- Medical Equipment Monitor

Features

- 1:7 LVDS to LVC MOS De-Serializer
- Operating Temperature Range : -10 to +70°C
- No Special Start-up Sequence Required
- Spread Spectrum Clocking Tolerant up to 100kHz Frequency Modulation and +/-2.5% Deviations.
- Dot Clock Range: 15 to 85MHz Suited for VGA, SVGA, XGA, WXGA, 720p and 1080i.
- 56pin TSSOP Package
- PLL requires no external components.
- Power Down Mode.
- Falling Edge Clock
- EU RoHS Compliant.

Block Diagram

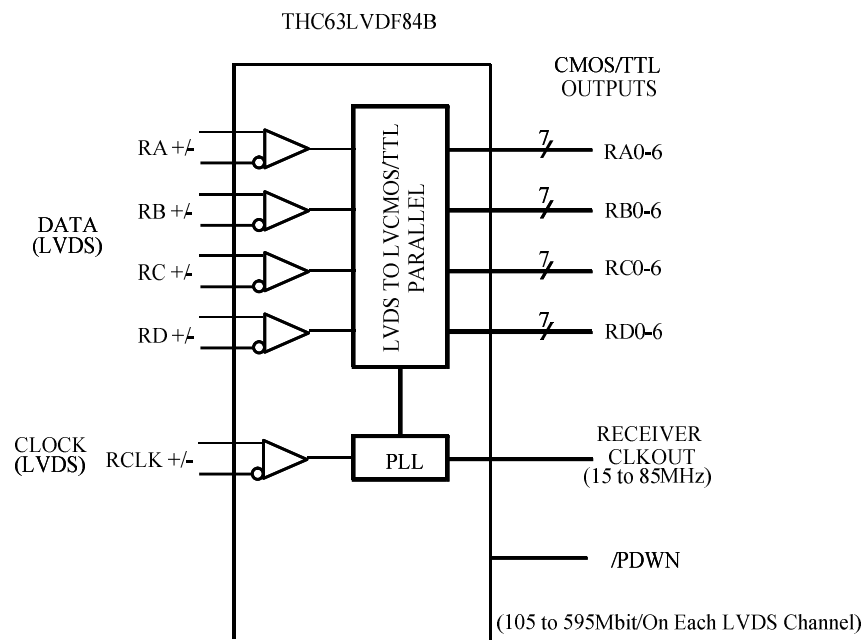


Figure 1. Block Diagram

Pin Diagram

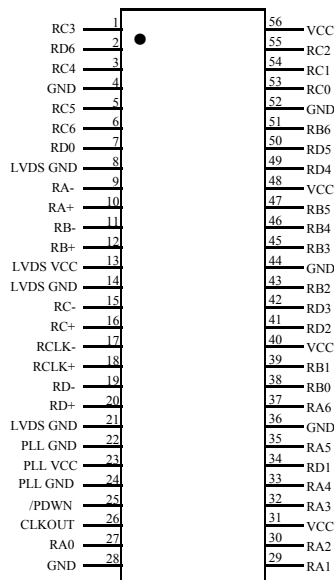


Figure 2. Pin Diagram

Pin Description

Pin Name	Pin #	Direction	Type	Description
RA+, RA-	10, 9	Input	LVDS	LVDS Data Inputs
RB+, RB-	12, 11			
RC+, RC-	16, 15			
RD+, RD-	20, 19			
RCLK+, RCLK-	18, 17			
RA0 ~ RA6	27, 29, 30, 32, 33, 35, 37	Output	LVCMOS	Pixel Data Outputs
RB0 ~ RB6	38, 39, 43, 45, 46, 47, 51			
RC0 ~ RC6	53, 54, 55, 1, 3, 5, 6			
RD0 ~ RD6	7, 34, 41, 42, 49, 50, 2			
CLKOUT	26			Pixel Clock Output
/PDWN	25	Input		H : Normal Operation L : Power Down (all outputs are pulled to ground)
VCC	31, 40, 48, 56	Power	-	Power Supply Pins for LVCMOS outputs and digital circuitry
GND	4, 28, 36, 44, 52			Ground Pins for LVCMOS outputs and digital circuitry.
LVDS VCC	13			Power Supply Pins for LVDS inputs.
LVDS GND	8, 14, 21			Ground Pins for LVDS inputs.
PLL VCC	23			Power Supply Pins for PLL circuitry.
PLL GND	22, 24			Ground Pins for PLL circuitry.

Table 1. Pin Description

Absolute Maximum Ratings

Parameter	Min	Max	Unit
Supply Voltage (VCC)	-0.3	+4.0	V
LVC MOS Input Voltage	-0.3	VCC + 0.3	V
LVC MOS Output Voltage	-0.3	VCC + 0.3	V
LVDS Input Pin	-0.3	VCC + 0.3	V
Junction Temperature	-	+125	°C
Storage Temperature	-55	+150	°C
Reflow Peak Temperature	-	+260	°C
Reflow Peak Temperature Time	-	10	sec
Maximum Power Dissipation @+25°C	-	1.9	W

Table 2. Absolute Maximum Ratings

Recommended Operating Conditions

Symbol	Parameter	Min	Typ	Max	Unit
-	All Supply Voltage	2.5	-	3.6	V
Ta	Operating Ambient Temperature	-10	+25	+70	°C
-	Clock Frequency	VCC = 2.5V to 2.7V	20	70	MHz
		VCC = 2.7V to 3.0V	15	70	MHz
		VCC = 3.0V to 3.6V	15	85	MHz

Table 3. Recommended Operating Conditions

“Absolute Maximum Ratings” are those values beyond which the safety of the device can not be guaranteed. They are not meant to imply that the device should be operated at these limits. The tables of “Electrical Characteristics Table4, 5, 6, 7” specify conditions for device operation. “Absolute Maximum Rating” value also includes behavior of overshooting and undershooting.

Equivalent LVDS Input Schematic Diagram

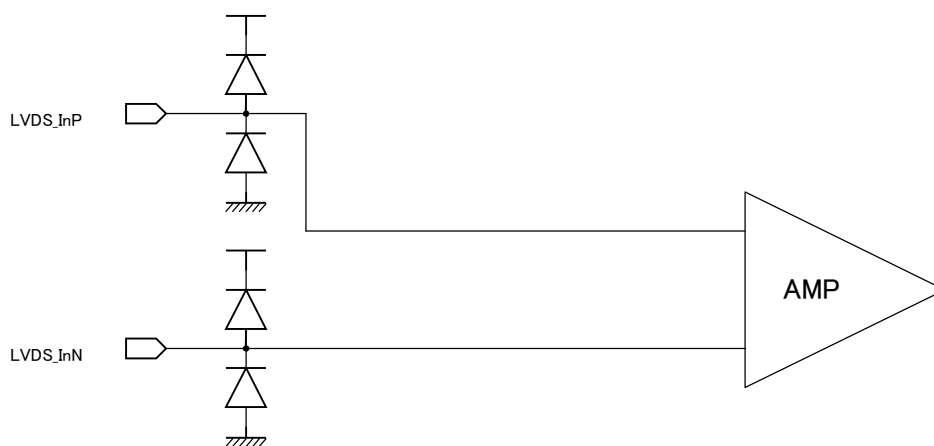


Figure 3. LVDS Input Schematic Diagram

Power Consumption

Over recommended operating supply and temperature range unless otherwise specified

Symbol	Parameter	Conditions	Typ*	Max	Unit
I _{RCCG}	LVDS Receiver Operating Current Gray Scale Pattern 16 (Fig.4)	RL=100Ω, CL=8pF, f=65MHz, VCC=3.3V	41	53	mA
		RL=100Ω, CL=8pF, f=85MHz, VCC=3.3V	52	64	mA
		RL=100Ω, CL=8pF, f=65MHz, VCC=2.5V	30	42	mA
I _{RCCW}	LVDS Receiver Operating Current Worst Case Pattern (Fig.5)	RL=100Ω, CL=8pF, f=65MHz, VCC=3.3V	72	94	mA
		RL=100Ω, CL=8pF, f=85MHz, VCC=3.3V	84	96	mA
		RL=100Ω, CL=8pF, f=65MHz, VCC=2.5V	42	64	mA
I _{RCCS}	LVDS Receiver Power Down Current	/PDWN=L	-	10	μA

*Typ values are at the conditions of Ta = +25°C

Table 4. Power Consumption

16 Grayscale Pattern

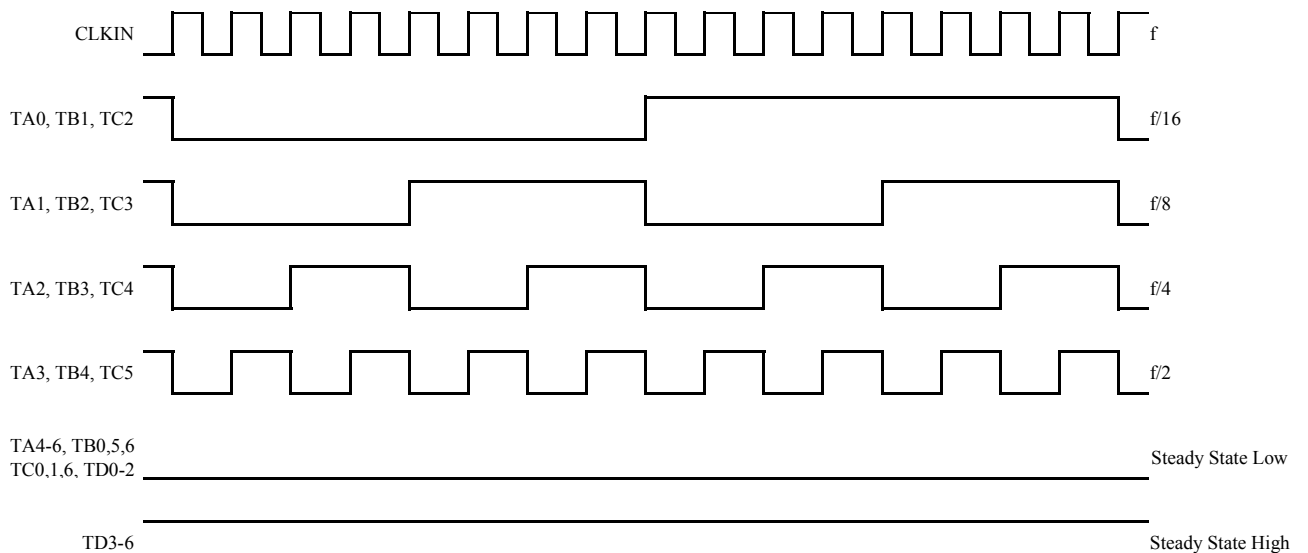


Figure 4. 16 Grayscale Pattern

Worst Case Pattern

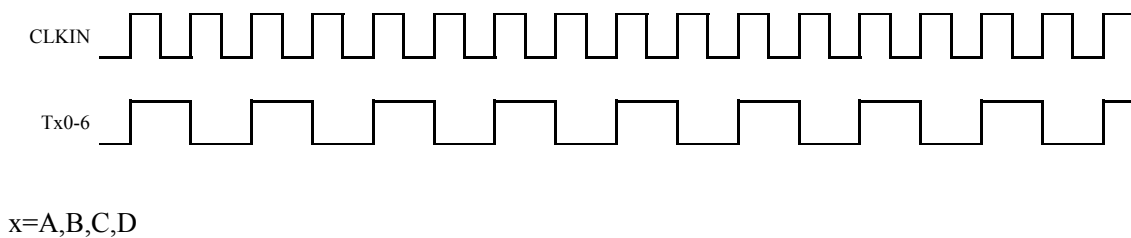


Figure 5. Worst Case Pattern

Electrical Characteristics

LVC MOS DC Specifications

Over recommended operating supply and temperature range unless otherwise specified

Symbol	Parameter	Conditions	Min	Typ*	Max	Unit
V _{IH}	High Level Input Voltage	-	2.0	-	VCC	V
V _{IL}	Low Level Input Voltage	-	GND	-	0.8	V
V _{OH1}	High Level Output Voltage	VCC = 3.0V to 3.6V I _{OH} = -4mA	2.4	-	-	V
V _{OL1}	Low Level Output Voltage	VCC = 3.0V to 3.6V I _{OL} = 4mA	-	-	0.4	V
V _{OH2}	High Level Output Voltage	VCC = 2.5V to 3.0V I _{OH} = -2mA	2.1	-	-	V
V _{OL2}	Low Level Output Voltage	VCC = 2.5V to 3.0V I _{OL} = 2mA	-	-	0.4	V
I _{IN}	Input Current	GND ≤ V _{IN} ≤ VCC	-	-	±10	μA

Table 5. LVC MOS DC Specifications

LVDS Receiver DC Specifications

Over recommended operating supply and temperature range unless otherwise specified

Symbol	Parameter	Conditions	Min	Typ*	Max	Unit
V _{TH}	Differential Input High Threshold	RL=100Ω, VIC=+1.2V	-	-	100	mV
V _{TL}	Differential Input Low Threshold		-100	-	-	mV
I _{IN}	Input Current	V _{IN} = +2.4 / 0V VCC = 3.6V	-	-	±10	μA

Table 6. LVDS Receiver DC Specifications

LVC MOS & LVDS Receiver AC Specifications

Over recommended operating supply and temperature range unless otherwise specified

Symbol	Parameter	Min	Typ	Max	Unit	
t_{RCP}	CLKOUT Transition Time	VCC = 2.5V to 2.7V	14.3	T	50.0	ns
		VCC = 2.7V to 3.0V	14.3	T	66.6	
		VCC = 3.0V to 3.6V	11.8	T	66.6	
t_{RCH}	CLKOUT High Time	-	4T/7	-	ns	
t_{RCL}	CLKOUT Low Time	-	3T/7	-	ns	
t_{RCD}	RCLK IN to CLKOUT +/- Delay	-	5T/7	-	ns	
t_{RS}	LVC MOS Data Setup to CLKOUT	0.35T - 0.3	-	-	ns	
t_{RH}	LVC MOS Data Hold from CLKOUT	0.45T - 1.6	-	-	ns	
t_{TLH}	LVC MOS Low to High Transition Time	-	2.0	3.0	ns	
t_{THL}	LVC MOS High to Low Transition Time	-	1.8	3.0	ns	
t_{RIP1}	Input Data Position0 (T=11.76ns)	-0.4	0.0	+0.4	ns	
t_{RIP0}	Input Data Position1 (T=11.76ns)	T/7-0.4	T/7	T/7+0.4	ns	
t_{RIP6}	Input Data Position2 (T=11.76ns)	2T/7-0.4	2T/7	2T/7+0.4	ns	
t_{RIP5}	Input Data Position3 (T=11.76ns)	3T/7-0.4	3T/7	3T/7+0.4	ns	
t_{RIP4}	Input Data Position4 (T=11.76ns)	4T/7-0.4	4T/7	4T/7+0.4	ns	
t_{RIP3}	Input Data Position5 (T=11.76ns)	5T/7-0.4	5T/7	5T/7+0.4	ns	
t_{RIP2}	Input Data Position6 (T=11.76ns)	6T/7-0.4	6T/7	6T/7+0.4	ns	
$t_{RP LL}$	Phase Lock Loop Set	-	-	10.0	ms	

*Typ values are at the conditions of VCC=3.3V and Ta = +25°C

Table 7. LVC MOS & LVDS Receiver AC Specifications

LVC MOS Output

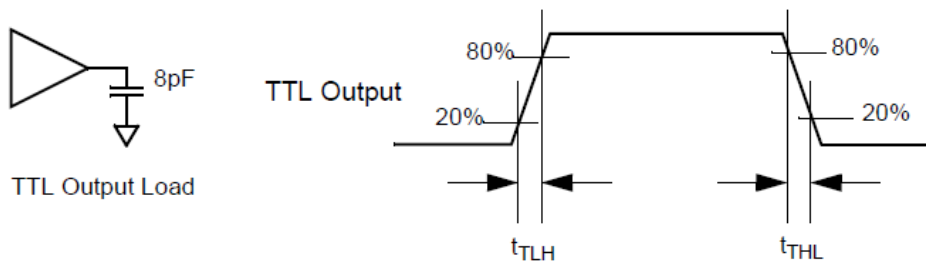


Figure 6. CLKOUT Transmission Time

AC Timing Diagrams

LVDS Input Data Position

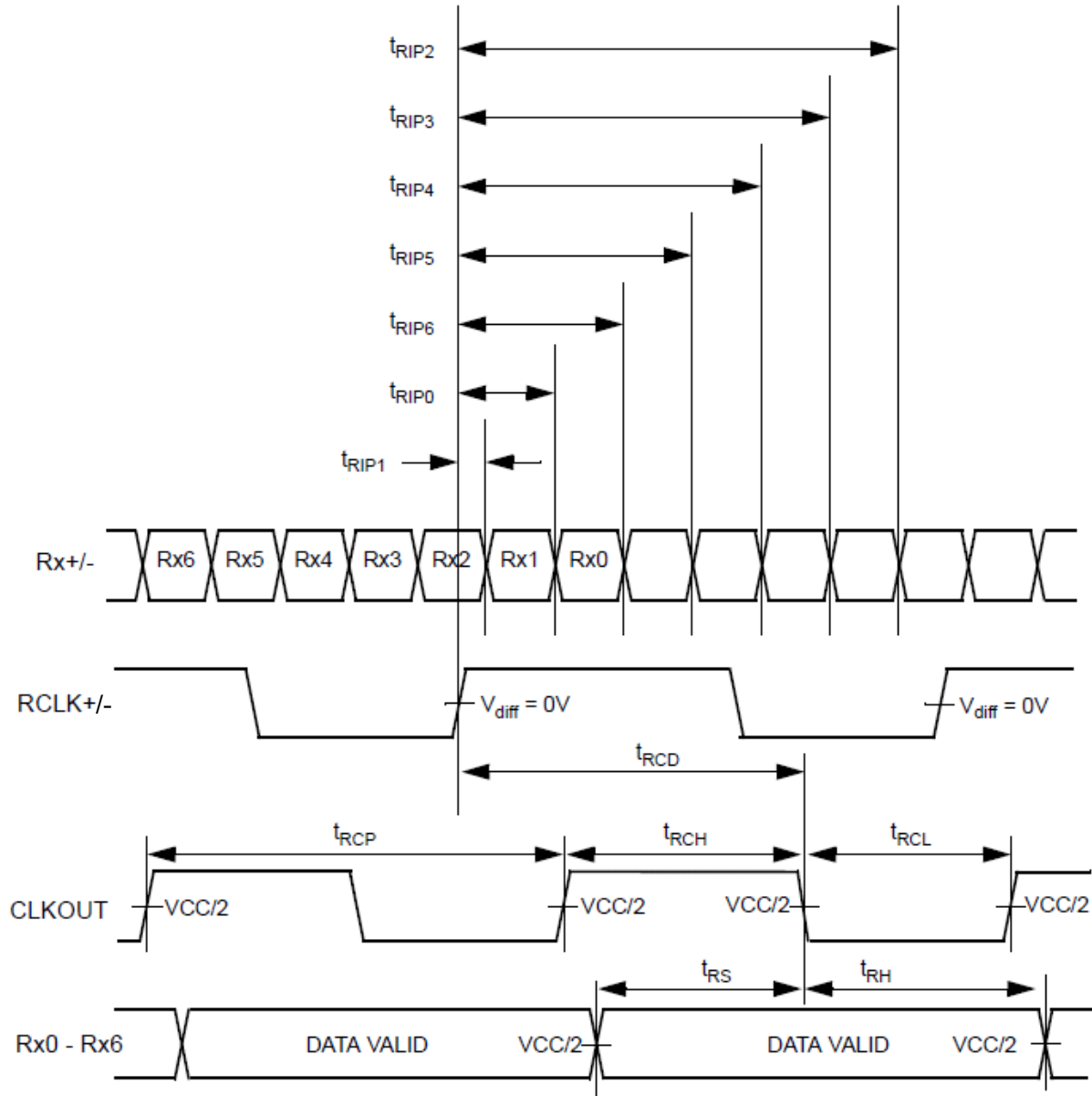


Figure 7. LVDS Input Data Position

Phase Lock Loop Set Time

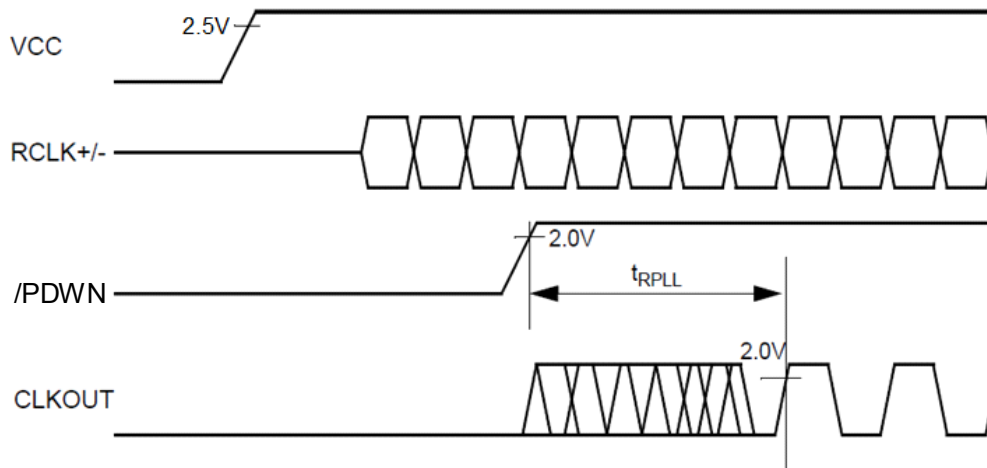


Figure 8. PLL Lock Loop Set Time

LVDS Data Timing Diagram

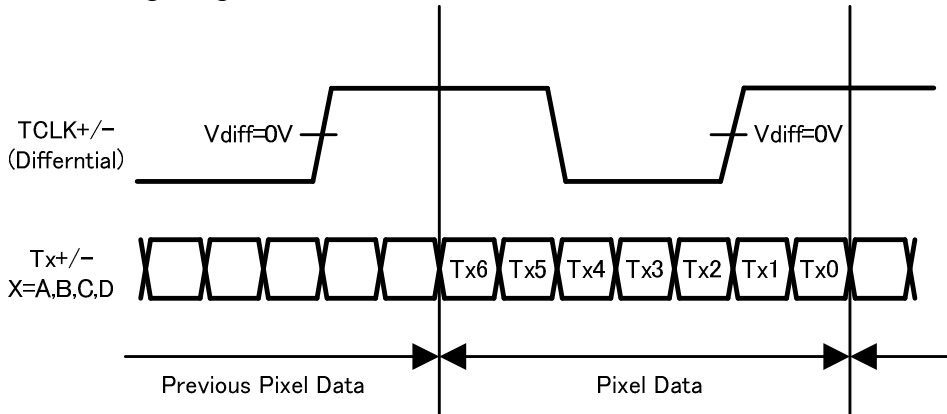


Figure 9. LVDS Data Timing Diagram

Pixel Data Mapping for JEIDA Format (6bit, 8bit Application)

TX Pin	6bit	8bit	RX Pin
TA0	R2	R2	RA0
TA1	R3	R3	RA1
TA2	R4	R4	RA2
TA3	R5	R5	RA3
TA4	R6	R6	RA4
TA5	R7	R7	RA5
TA6	G2	G2	RA6
TB0	G3	G3	RB0
TB1	G4	G4	RB1
TB2	G5	G5	RB2
TB3	G6	G6	RB3
TB4	G7	G7	RB4
TB5	B2	B2	RB5
TB6	B3	B3	RB6
TC0	B4	B4	RC0
TC1	B5	B5	RC1
TC2	B6	B6	RC2
TC3	B7	B7	RC3
TC4	Hsync	Hsync	RC4
TC5	Vsync	Vsync	RC5
TC6	DE	DE	RC6
TD0	-	R0	RD0
TD1	-	R1	RD1
TD2	-	G0	RD2
TD3	-	G1	RD3
TD4	-	B0	RD4
TD5	-	B1	RD5
TD6	-	N/A	RD6

Note : Use TA to TC channels and open TD channel for 6bit application.

Table 8. Data Mapping for JEIDA Format

Pixel Data Mapping for VESA Format (6bit, 8bit Application)

TX Pin	6bit	8bit	RX Pin
TA0	R0	R0	RA0
TA1	R1	R1	RA1
TA2	R2	R2	RA2
TA3	R3	R3	RA3
TA4	R4	R4	RA4
TA5	R5	R5	RA5
TA6	G0	G0	RA6
TB0	G1	G1	RB0
TB1	G2	G2	RB1
TB2	G3	G3	RB2
TB3	G4	G4	RB3
TB4	G5	G5	RB4
TB5	B0	B0	RB5
TB6	B1	B1	RB6
TC0	B2	B2	RC0
TC1	B3	B3	RC1
TC2	B4	B4	RC2
TC3	B5	B5	RC3
TC4	Hsync	Hsync	RC4
TC5	Vsync	Vsync	RC5
TC6	DE	DE	RC6
TD0	-	R6	RD0
TD1	-	R7	RD1
TD2	-	G6	RD2
TD3	-	G7	RD3
TD4	-	B6	RD4
TD5	-	B7	RD5
TD6	-	N/A	RD6

Note : Use TA to TC channels and open TD channel for 6bit application.

Table 9. Data Mapping for VESA Format

Normal Connection with JEIDA Format

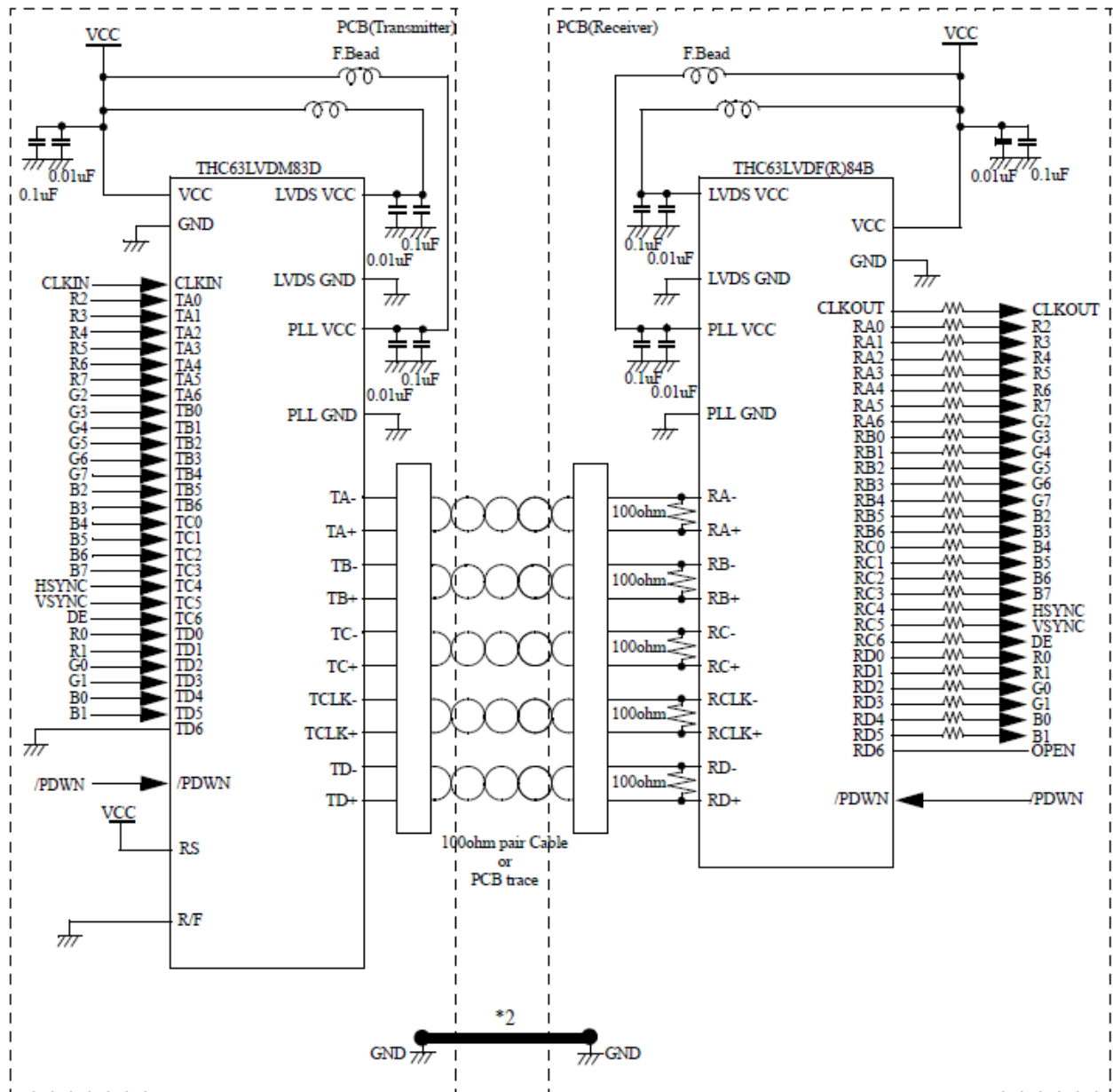


Figure 10. Typical Connection Diagram

Notes

1) Cable Connection and Disconnection

Do not connect and disconnect the LVDS cable, when the power is supplied to the system.

2) GND Connection

Connect each GND of the PCB which THC63LVDM83D and LVDS-Rx on it. It is better for EMI reduction to place GND cable as close to LVDS cable as possible.

3) Multi Drop Connection

Multi drop connection is not recommended.

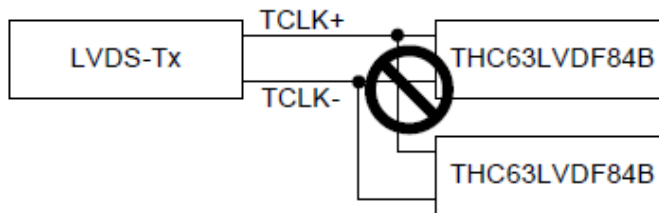


Figure 11. Multi Drop Connection

4) Asynchronous use

Asynchronous using such as following systems is not recommended.

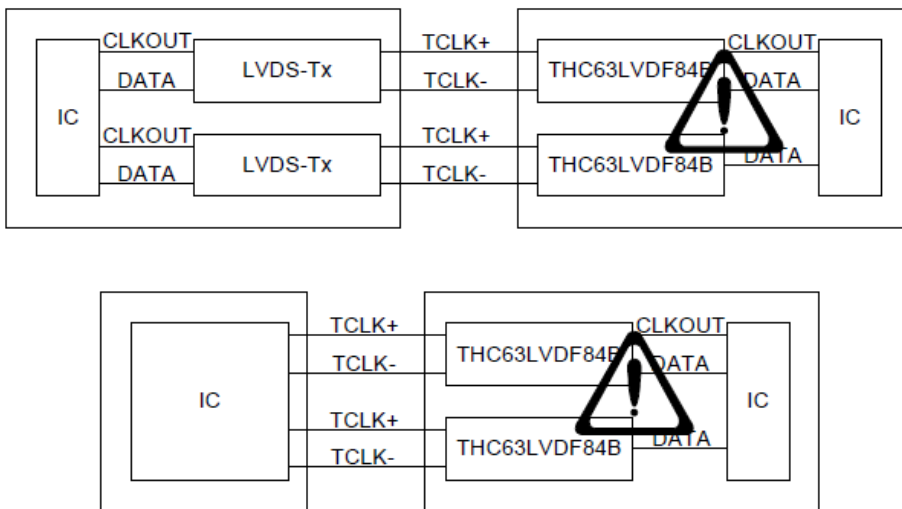


Figure 12. Asynchronous Use

Package

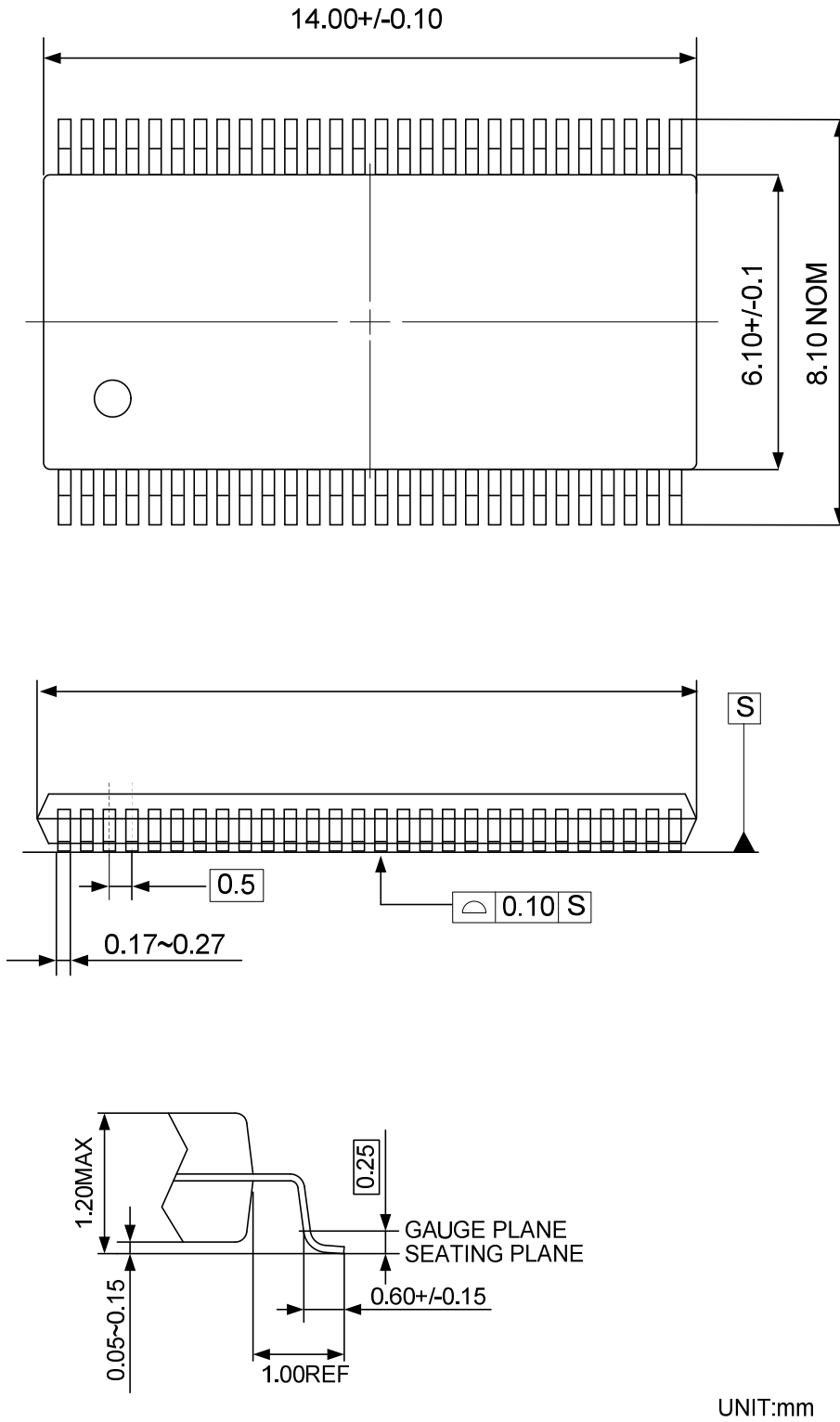


Figure 13. Package Diagram

Reference Land Pattern

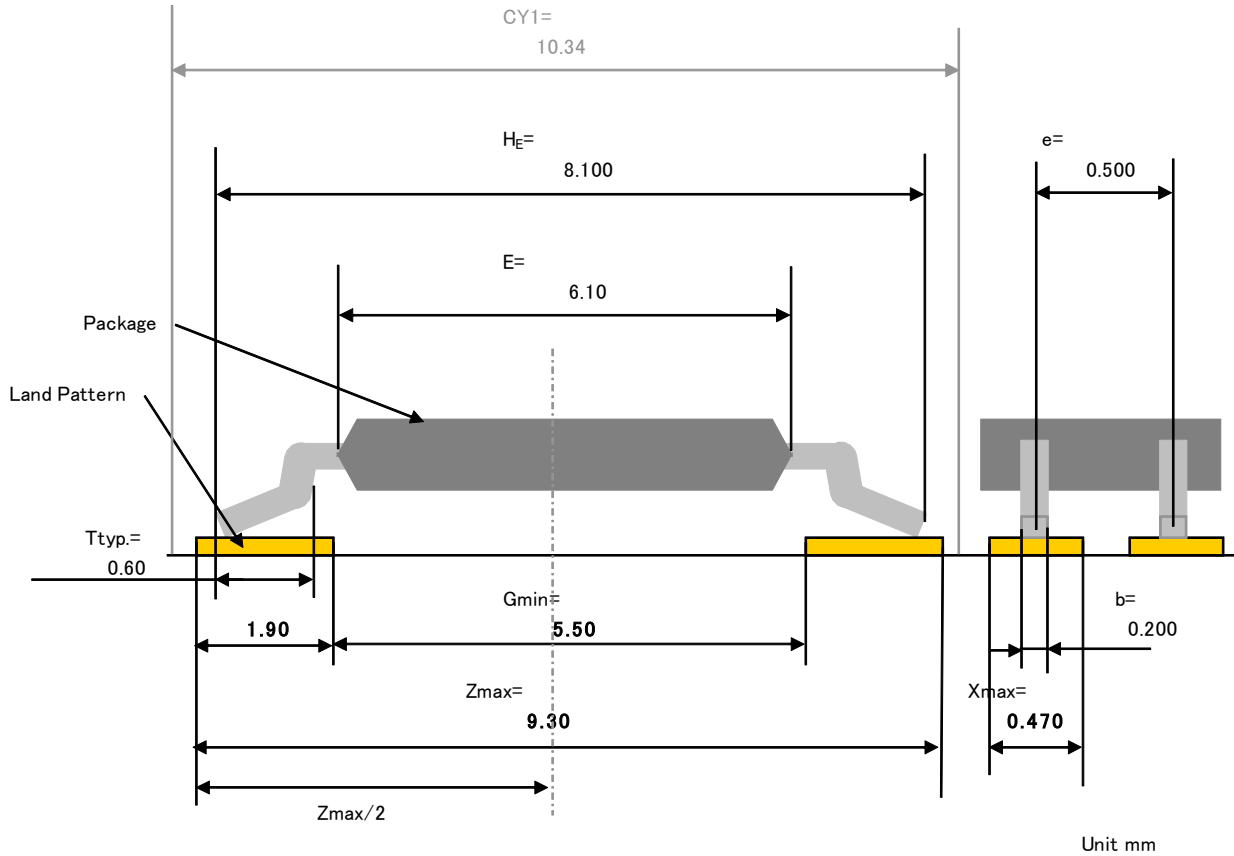


Figure 14. Reference of Land Pattern

The recommendation mounting method of THine device is reflow soldering.
 The reference pattern is using the calculation result on condition of reflow soldering.

Notes

This land pattern design is a calculated value based on JEITA ET-7501.
 Please take into consideration in an actual substrate design about enough the ease of mounting, the intensity of connection, the density of mounting, and the solder paste used, etc... The optimal land pattern size changes with these parameters. Please use the value shown by the land pattern as reference data.

Notices and Requests

1. The product specifications described in this material are subject to change without prior notice.
2. The circuit diagrams described in this material are examples of the application which may not always apply to the customer's design. We are not responsible for possible errors and omissions in this material. Please note if errors or omissions should be found in this material, we may not be able to correct them immediately.
3. This material contains our copyright, know-how or other proprietary. Copying or disclosing to third parties the contents of this material without our prior permission is prohibited.
4. Note that if infringement of any third party's industrial ownership should occur by using this product, we will be exempted from the responsibility unless it directly relates to the production process or functions of the product.
5. Product Application
 - 5.1 Application of this product is intended for and limited to the following applications: audio-video device, office automation device, communication device, consumer electronics, smartphone, feature phone, and amusement machine device. This product must not be used for applications that require extremely high-reliability/safety such as aerospace device, traffic device, transportation device, nuclear power control device, combustion chamber device, medical device related to critical care, or any kind of safety device.
 - 5.2 This product is not intended to be used as an automotive part, unless the product is specified as a product conforming to the demands and specifications of ISO/TS16949 ("the Specified Product") in this data sheet. THine Electronics, Inc. ("THine") accepts no liability whatsoever for any product other than the Specified Product for it not conforming to the aforementioned demands and specifications.
 - 5.3 THine accepts liability for demands and specifications of the Specified Product only to the extent that the user and THine have been previously and explicitly agreed to each other.
6. Despite our utmost efforts to improve the quality and reliability of the product, faults will occur with a certain small probability, which is inevitable to a semi-conductor product. Therefore, you are encouraged to have sufficiently redundant or error preventive design applied to the use of the product so as not to have our product cause any social or public damage.
7. Please note that this product is not designed to be radiation-proof.
8. Testing and other quality control techniques are used to this product to the extent THine deems necessary to support warranty for performance of this product. Except where mandated by applicable law or deemed necessary by THine based on the user's request, testing of all functions and performance of the product is not necessarily performed.
9. Customers are asked, if required, to judge by themselves if this product falls under the category of strategic goods under the Foreign Exchange and Foreign Trade Control Law.
10. The product or peripheral parts may be damaged by a surge in voltage over the absolute maximum ratings or malfunction, if pins of the product are shorted by such as foreign substance. The damages may cause a smoking and ignition. Therefore, you are encouraged to implement safety measures by adding protection devices, such as fuses.

THine Electronics, Inc.

sales@thine.co.jp