

<i>Application Note</i>	<i>THAN0066_Rev.1.10_E</i>
-------------------------	----------------------------

THC63LVDM83D/THC63LVDF(R)84B
Application Note
System Diagram and PCB Design Guide Line

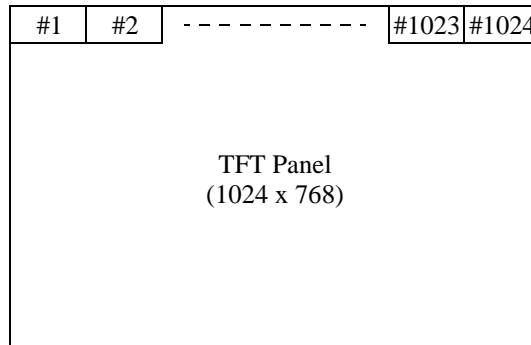
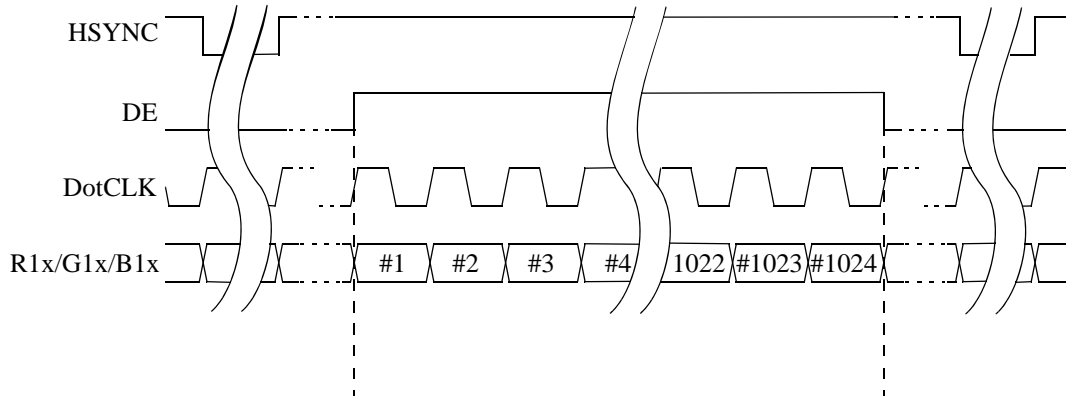
Date	Revision
2008.5.30	THAN0066_Rev.1.01_E
2008.8.6	THAN0066_Rev.1.10_E

Contents

1.TTL Data Timing Diagram	P3
2.LVDS DATA Timing Diagram	P4
3.Example of System Diagram	
1)8 bit TTL/CMOS Level Input	P5
2)8 bit Small Swing Level Input	P6
3)6 bit TTL/CMOS Level Input	P7
4.NOTE	P8
5. PCB Design Guide Line for LVDS	P9

1. TTL DATA Timing Diagram

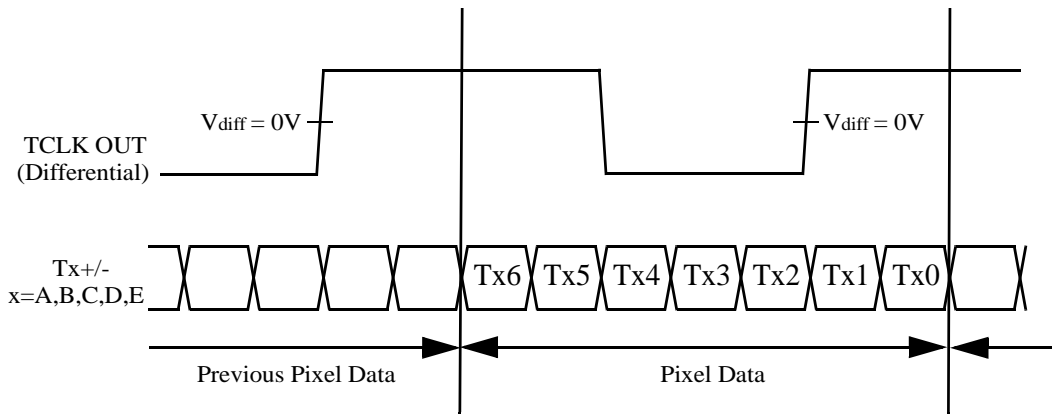
Following are THC63LVDM83D TTL data input timing example for XGA(1024 x 768).



Note:

	Red	Green	Blue
MSB	R7	G7	B7
	R6	G6	B6
	R5	G5	B5
	R4	G4	B4
	R3	G3	B3
6bit LSB	R2	G2	B2
	R1	G1	B1
8bit LSB	R0	G0	B0

2.LVDS DATA Timing Diagram



THC63LVDM83D/F(R)84B Pixel Data Assign (6bit,8bit Application)

	6bit	8bit
TA0	R2	R2
TA1	R3	R3
TA2	R4	R4
TA3	R5	R5
TA4	R6	R6
TA5	R7	R7
TA6	G2	G2
TB0	G3	G3
TB1	G4	G4
TB2	G5	G5
TB3	G6	G6
TB4	G7	G7
TB5	B2	B2
TB6	B3	B3
TC0	B4	B4
TC1	B5	B5
TC2	B6	B6
TC3	B7	B7
TC4	Hsync	Hsync
TC5	Vsync	Vsync
TC6	DE	DE
TD0	-	R0
TD1	-	R1
TD2	-	G0
TD3	-	G1
TD4	-	B0
TD5	-	B1
TD6	-	N/A

Note:For 6bit application,use A~C channel and open TD+/- pin.

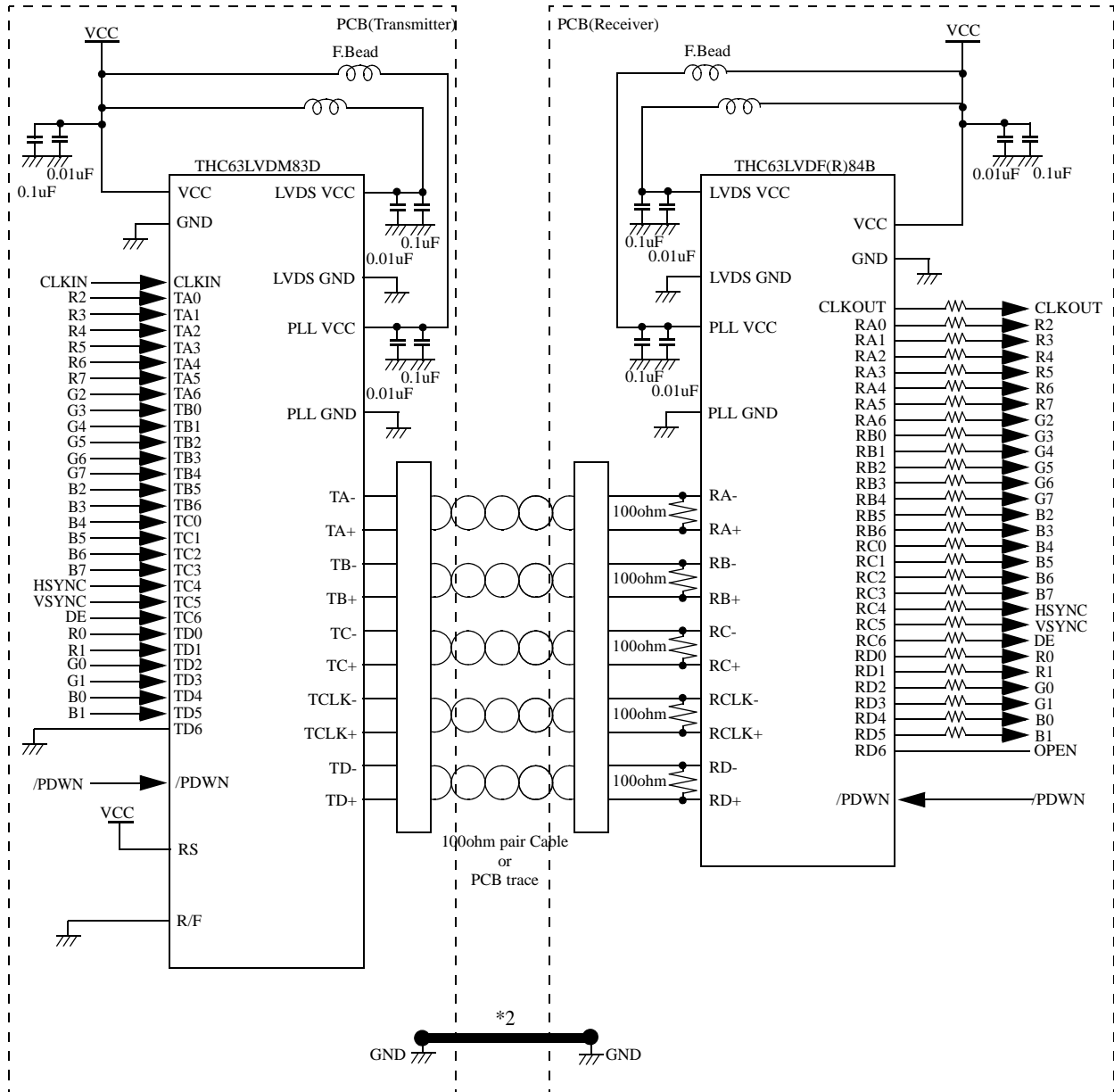
3. Example of System Diagram

1) 8 bit TTL/CMOS Input(20~85MHz)

Example:

THC63LVDM83D :Falling edge/Normal swing

THC63LVDF(R)84B :Falling edge



*1:If RS pin is tied to VCC, LVDS swing is 350mV.
If RS pin is tied to GND, LVDS swing is 200mV.

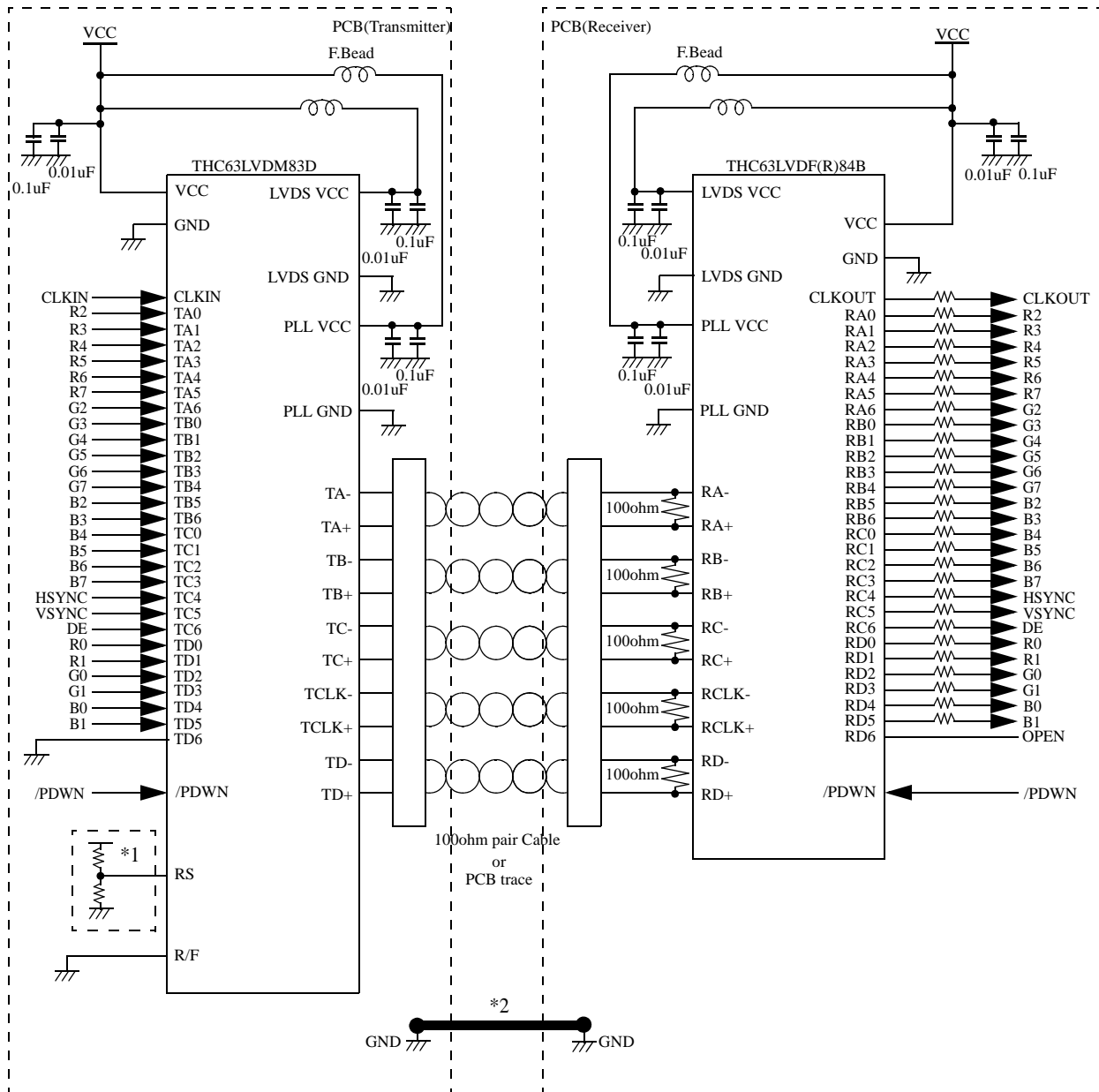
*2:Connect each PCB GND

2)8 bit Small Swing Input(20~85MHz)

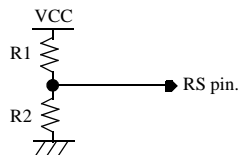
Example:

THC63LVDM83D :Small Swing input/Falling edge

THC63LVDF(R)84B :Falling edge



*1:RS pin acts as VREF input pin when input voltage is set to half of high level signal input.



Example for Small Swing input (R1,R2)=(3.3kohm,1kohm~2.2kohm)

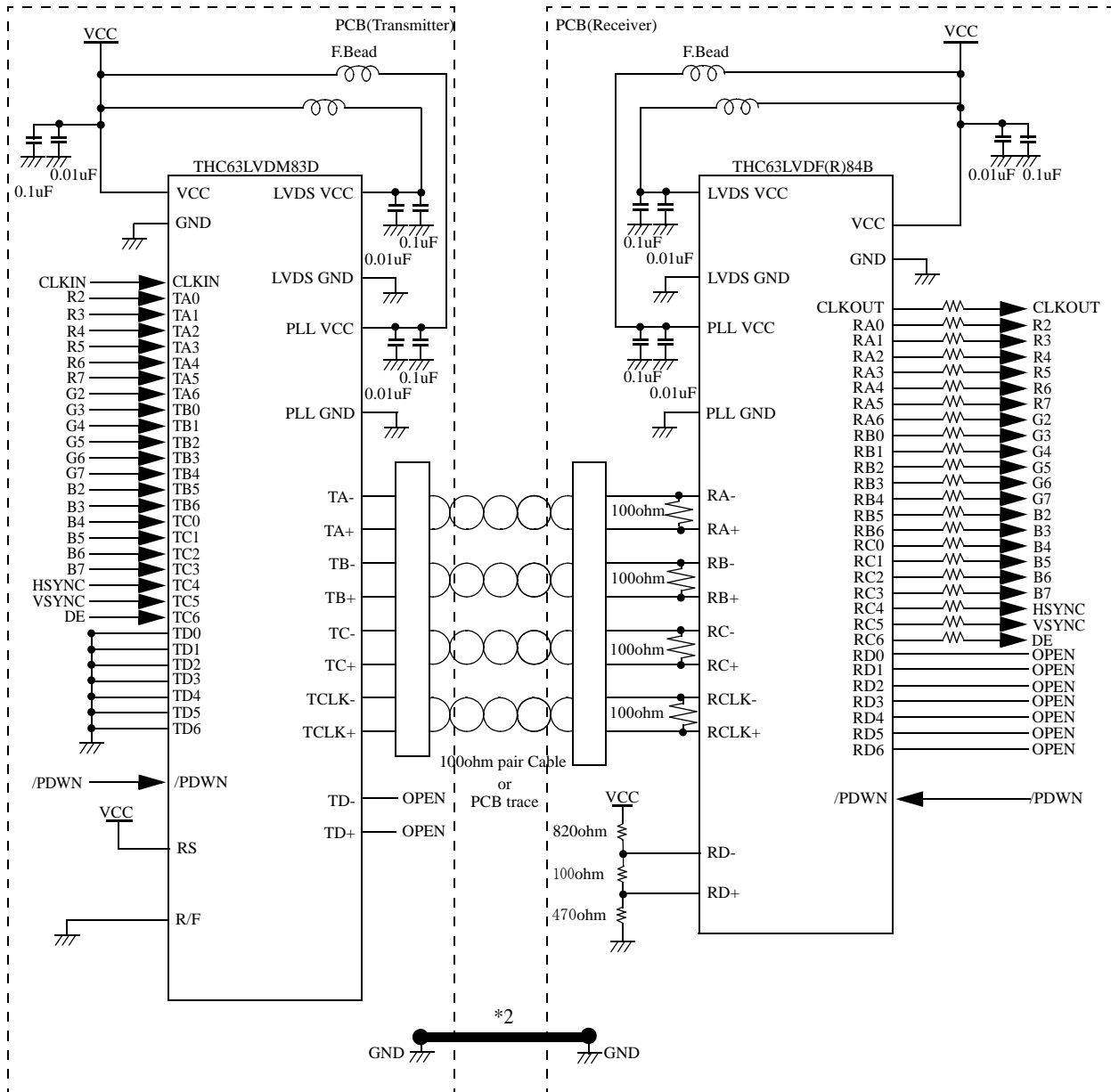
*2:Connect each PCB GND

3)6bit TTL/CMOS Input(20~85MHz)

Example:

THC63LVDM83D :Falling edge/Normal swing

THC63LVDF(R)84B :Falling edge



*1:If RS pin is tied to VCC, LVDS swing is 350mV.
If RS pin is tied to GND, LVDS swing is 200mV.

*2:Connect each PCB GND

4. Note

1) Power On Sequence

Power on THC63LVDM83D after THC63LVDF(R)84B. If it is not avoidable, please contact to

msspsupport@thine.co.jp (for FAE mailing list)

2) Cable Connection and Disconnection

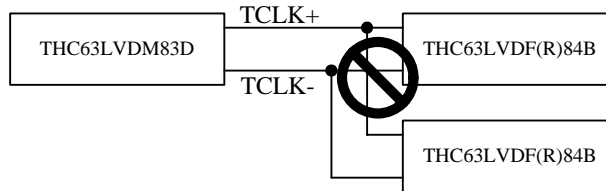
Don't connect and disconnect the LVDS cable, when the power is supplied to the system.

3) GND Connection

Connect the each GND of the PCB which THC63LVDM83D and THC63LVDF(R)84B on it. It is better for EMI reduction to place GND cable as close to LVDS cable as possible.

4) Multi Drop Connection

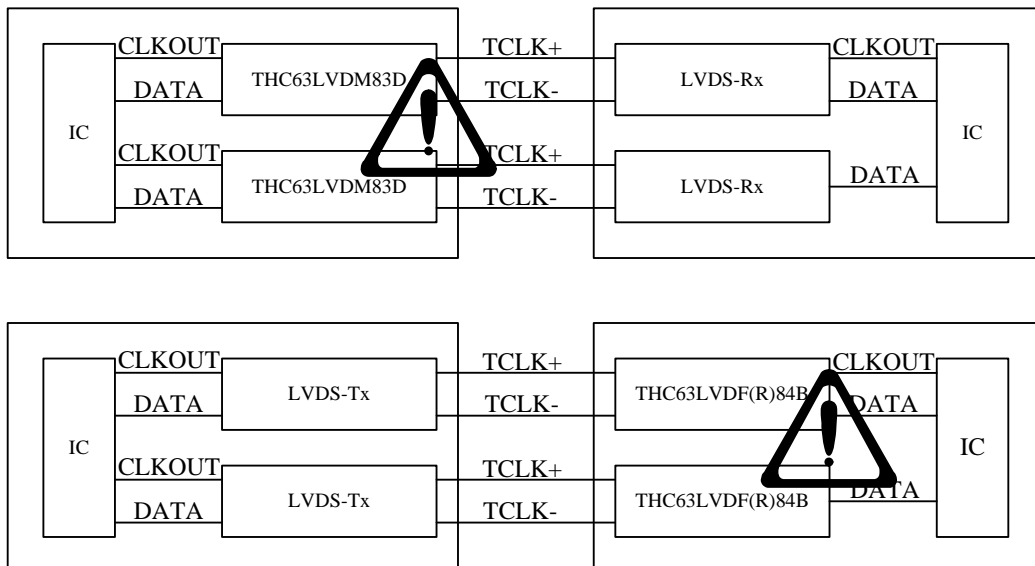
Multi drop connection is not recommended.

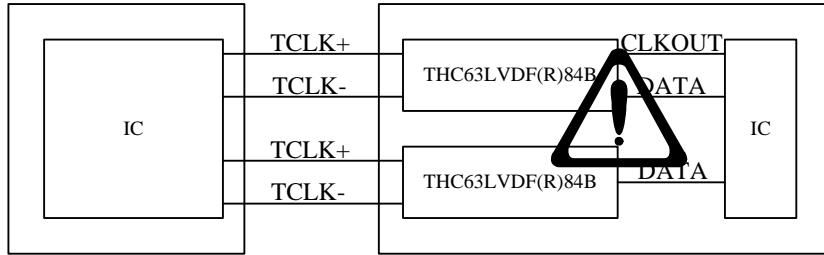
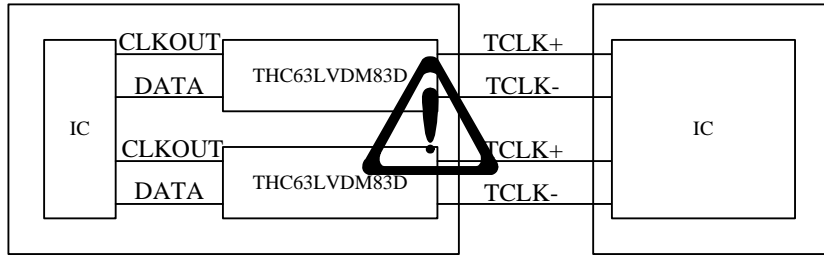


5) Asynchronous use

Asynchronous use such as following systems are not recommended. If it is not avoidable, please contact to

msspsupport@thine.co.jp (for FAE mailing list)





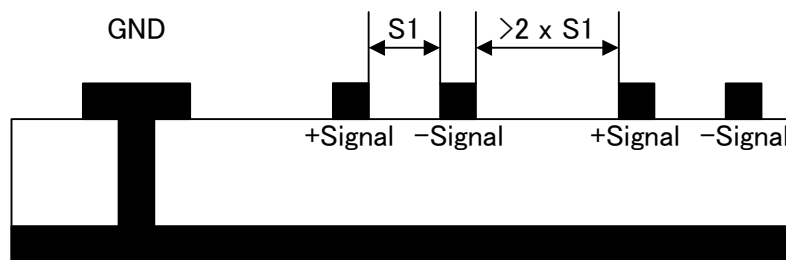
5. PCB Design Guide Line

General Guideline

- Use 4 layer PCB (minimum).
- Locate by-pass capacitors adjacent to the device pins as close as possible.
- Make the loop minimum which is consist of Power line and Gnd line.

LVDS Traces

- Interconnecting media between Transmitter and Receiver (i.e. PCB trace, connector, and cable) should be well balanced.(Keep all these differential impedance and the length of media as same as possible.).
- Minimize the distance between traces of a pair ($S1$) to maximize common mode rejection. See following figure.
- Place adjacent LVDS trace pair at least twice ($>2 \times S1$) as far away as much as possible.
- Avoid 90 degree bends.
- Minimize the number of VIA on LVDS traces.
- Match impedance of PCB trace, connector, media (cable) and termination to minimize reflections (emissions) for cabled applications (typically 100ohm differential mode characteristic impedance).
- Place Terminal Resister adjacent to the Receiver.



Attentions and Requests

1. The product specifications described in this material are subject to change without prior notice.
2. The circuit diagrams described in this material are examples of the application which may not always apply to the customer's design. We are not responsible for possible errors and omissions in this material. Please note if errors or omissions should be found in this material, we may not be able to correct them immediately.
3. This material contains our copy right, know-how or other proprietary. Copying or disclosing to third parties the contents of this material without our prior permission is prohibited.
4. Note that if infringement of any third party's industrial ownership should occur by using this product, we will be exempted from the responsibility unless it directly relates to the production process or functions of the product.
5. This product is presumed to be used for general electric equipment, not for the applications which require very high reliability (including medical equipment directly concerning people's life, aerospace equipment, or nuclear control equipment). Also, when using this product for the equipment concerned with the control and safety of the transportation means, the traffic signal equipment, or various Types of safety equipment, please do it after applying appropriate measures to the product.
6. Despite our utmost efforts to improve the quality and reliability of the product, faults will occur with a certain small probability, which is inevitable to a semi-conductor product. Therefore, you are encouraged to have sufficiently redundant or error preventive design applied to the use of the product so as not to have our product cause any social or public damage.
7. Please note that this product is not designed to be radiation-proof.
8. Customers are asked, if required, to judge by themselves if this product falls under the category of strategic goods under the Foreign Exchange and Foreign Trade Control Law.

THine Electronics, Inc.

E-mail: sales@thine.co.jp